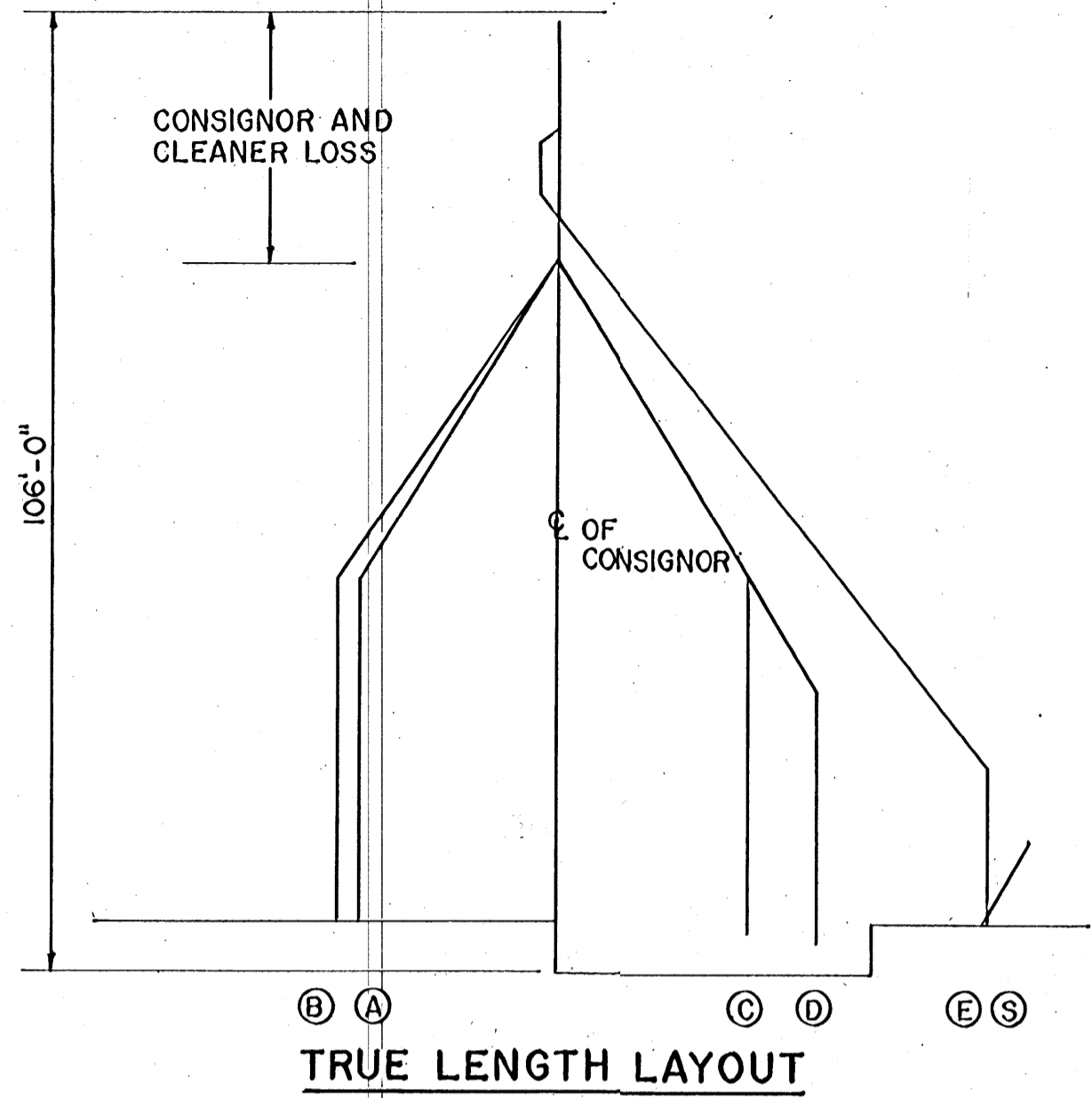
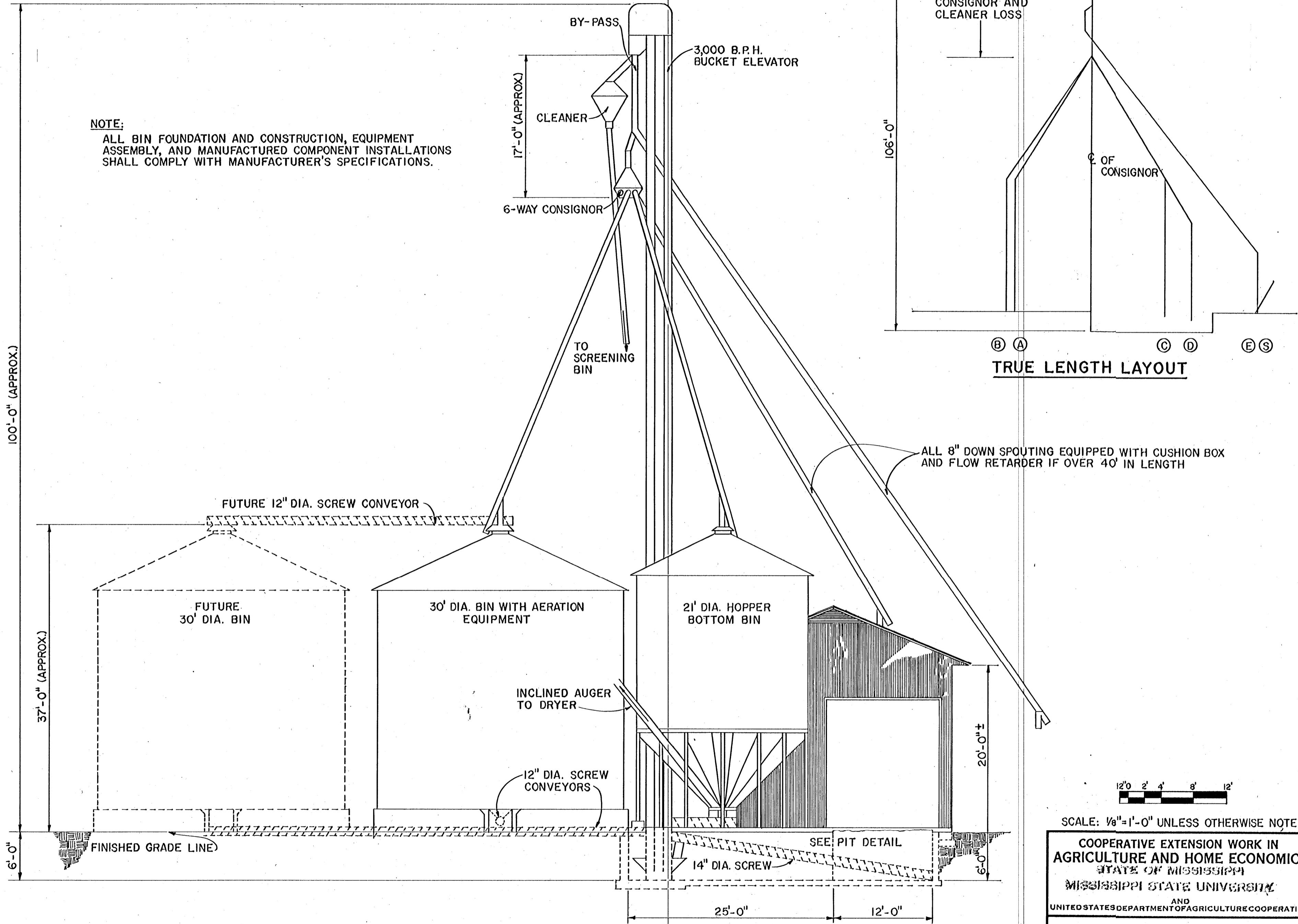
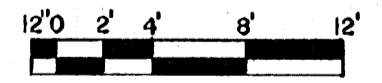


NOTE:
 ALL BIN FOUNDATION AND CONSTRUCTION, EQUIPMENT
 ASSEMBLY, AND MANUFACTURED COMPONENT INSTALLATIONS
 SHALL COMPLY WITH MANUFACTURER'S SPECIFICATIONS.



ALL 8" DOWN SPOUTING EQUIPPED WITH CUSHION BOX
 AND FLOW RETARDER IF OVER 40' IN LENGTH



SCALE: 1/8"=1'-0" UNLESS OTHERWISE NOTED

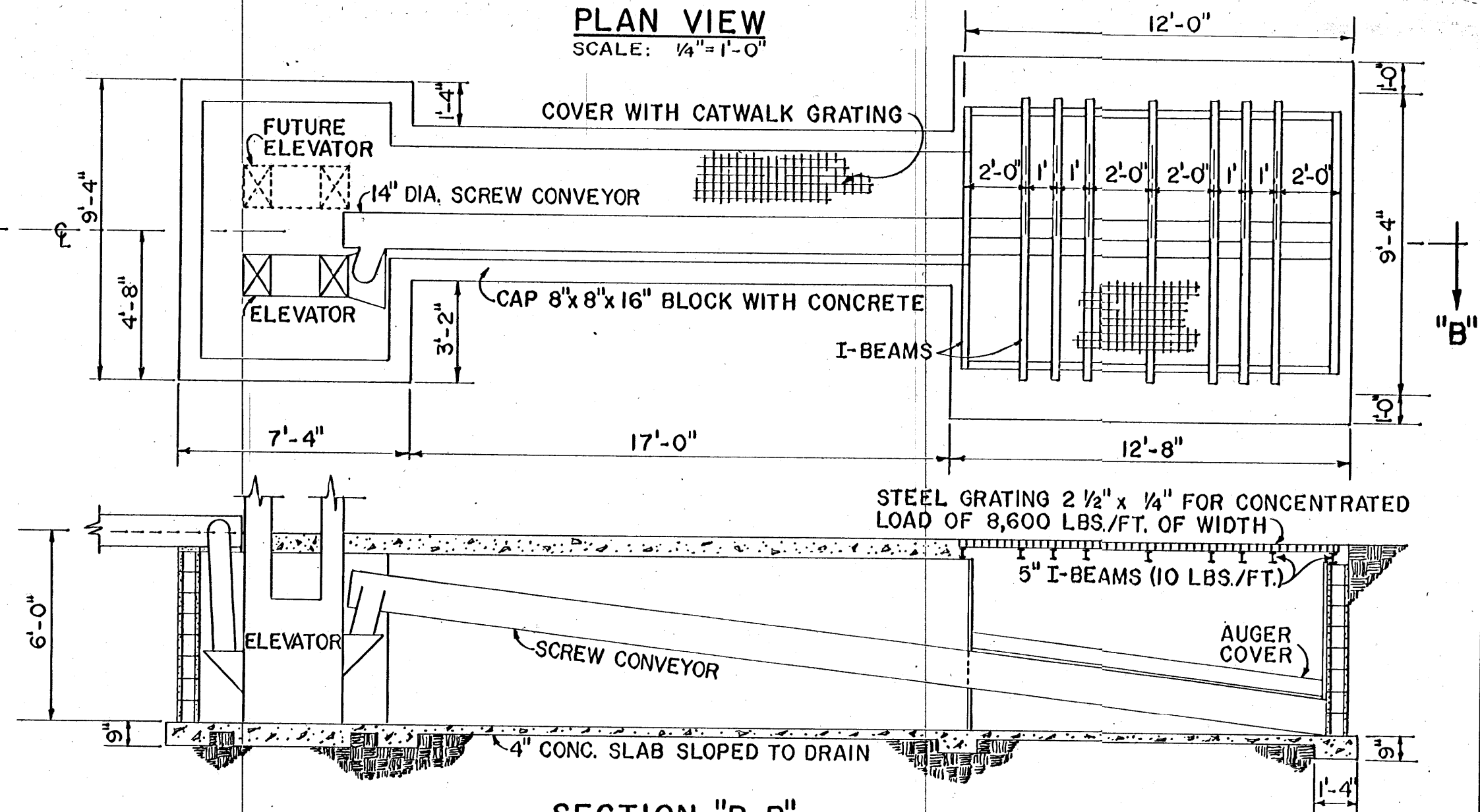
COOPERATIVE EXTENSION WORK IN
 AGRICULTURE AND HOME ECONOMICS
 STATE OF MISSISSIPPI
 MISSISSIPPI STATE UNIVERSITY
 AND
 UNITED STATES DEPARTMENT OF AGRICULTURE COOPERATING

GRAIN HANDLING & STORAGE CENTER

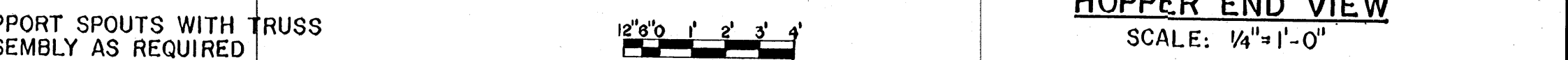
VA. '78	6296	SHEET 2 OF 3
---------	------	--------------

SECTION A-A

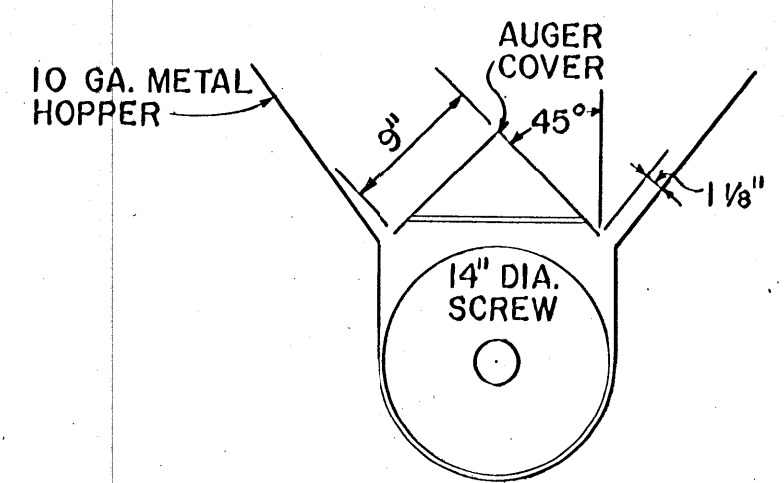
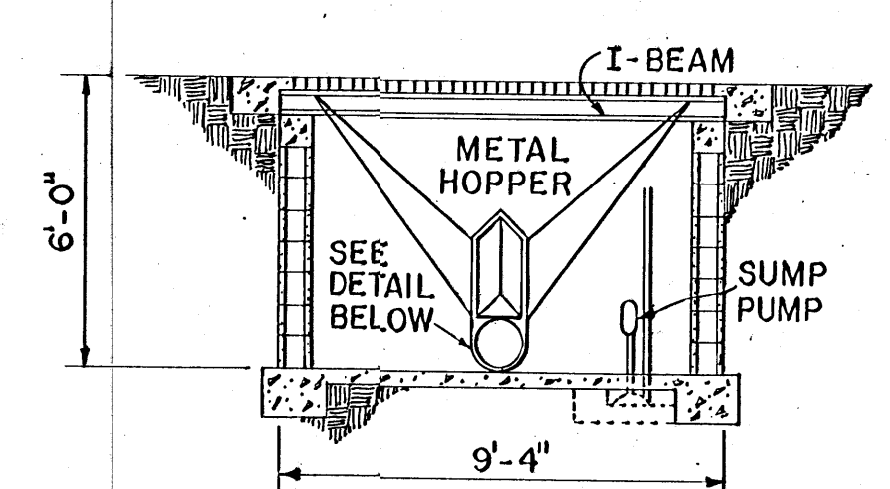
PLAN VIEW
SCALE: 1/4" = 1'-0"



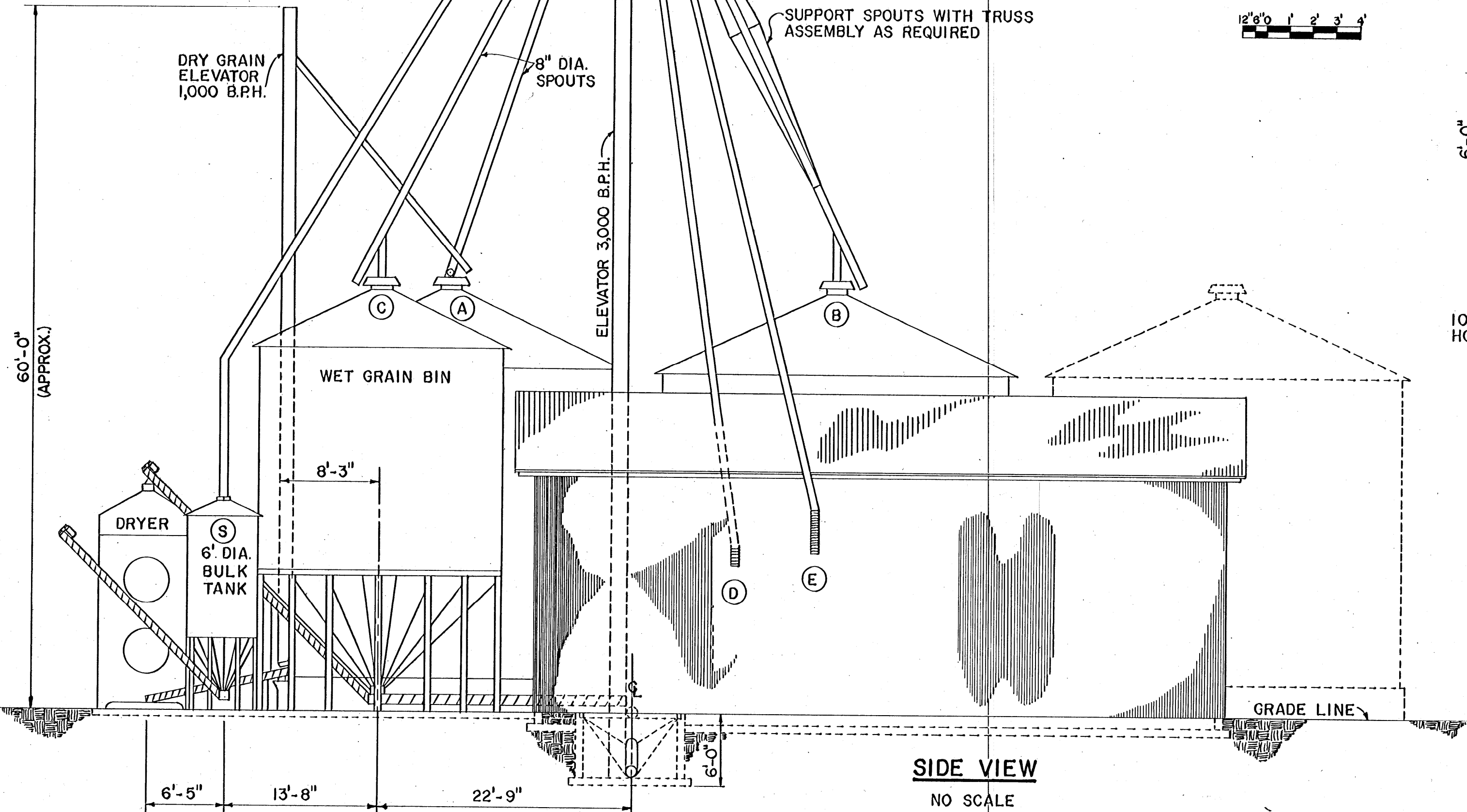
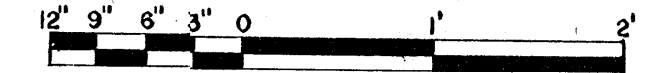
SECTION "B-B"
SCALE: 1/4" = 1'-0"



HOPPER END VIEW
SCALE: 1/4" = 1'-0"



SCREW & COVER DETAIL
SCALE: 1" = 1'-0"



SIDE VIEW
NO SCALE

COOPERATIVE EXTENSION WORK IN
AGRICULTURE AND HOME ECONOMICS
STATE OF MISSISSIPPI
MISSISSIPPI STATE UNIVERSITY
AND
UNITED STATES DEPARTMENT OF AGRICULTURE COOPERATING
GRAIN HANDLING & STORAGE CENTER
VA. '78 6296 SHEET 3 OF 3