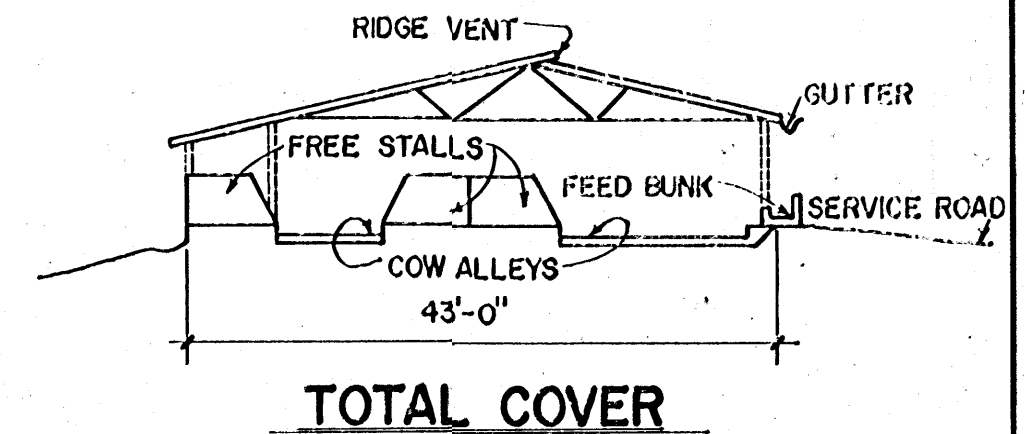
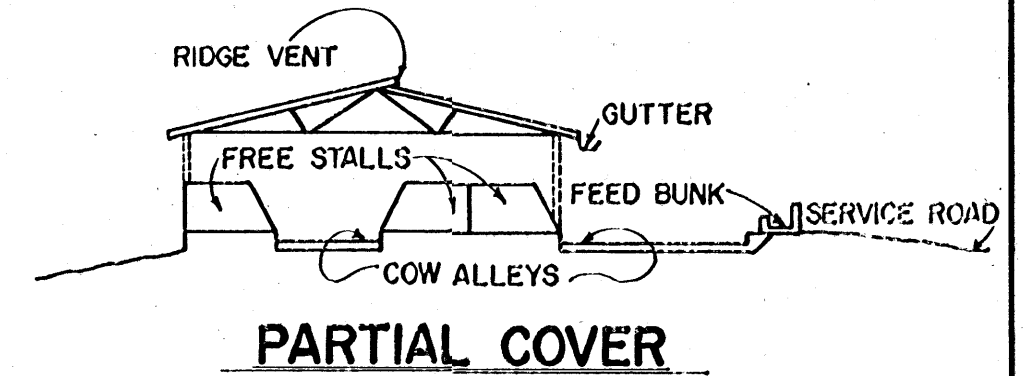
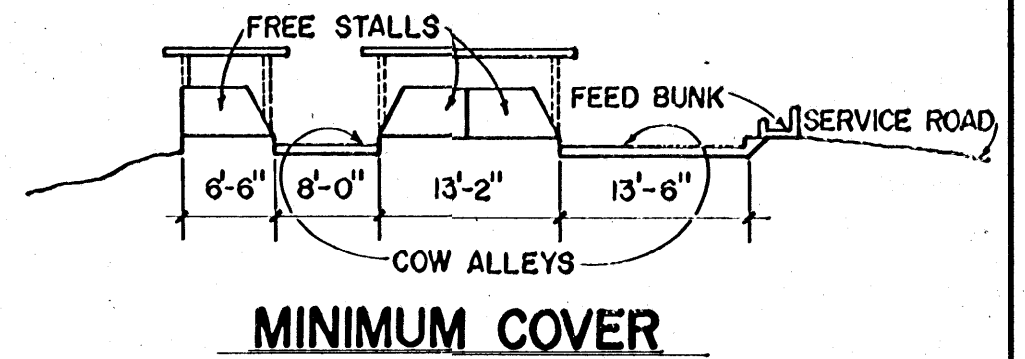
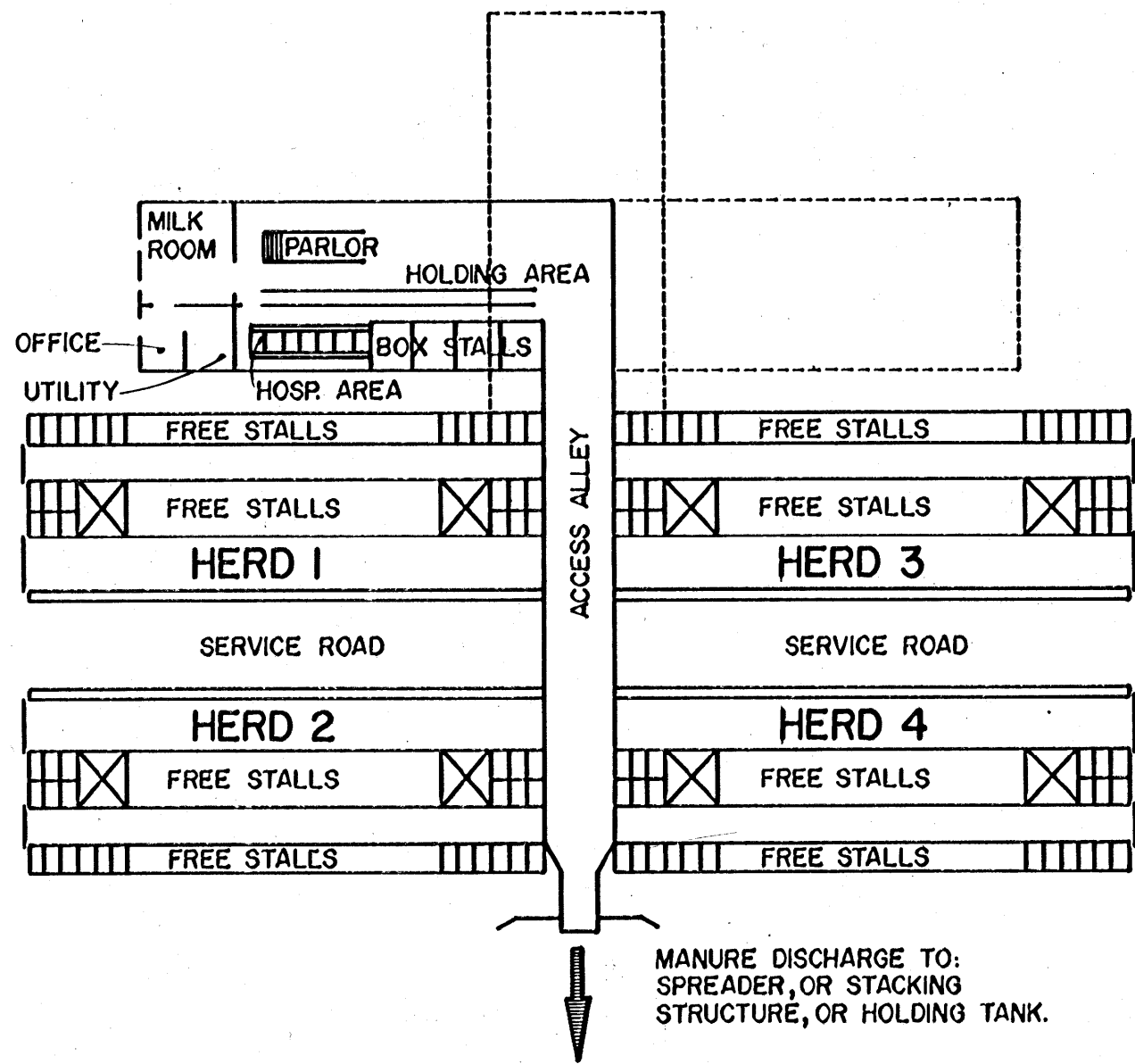


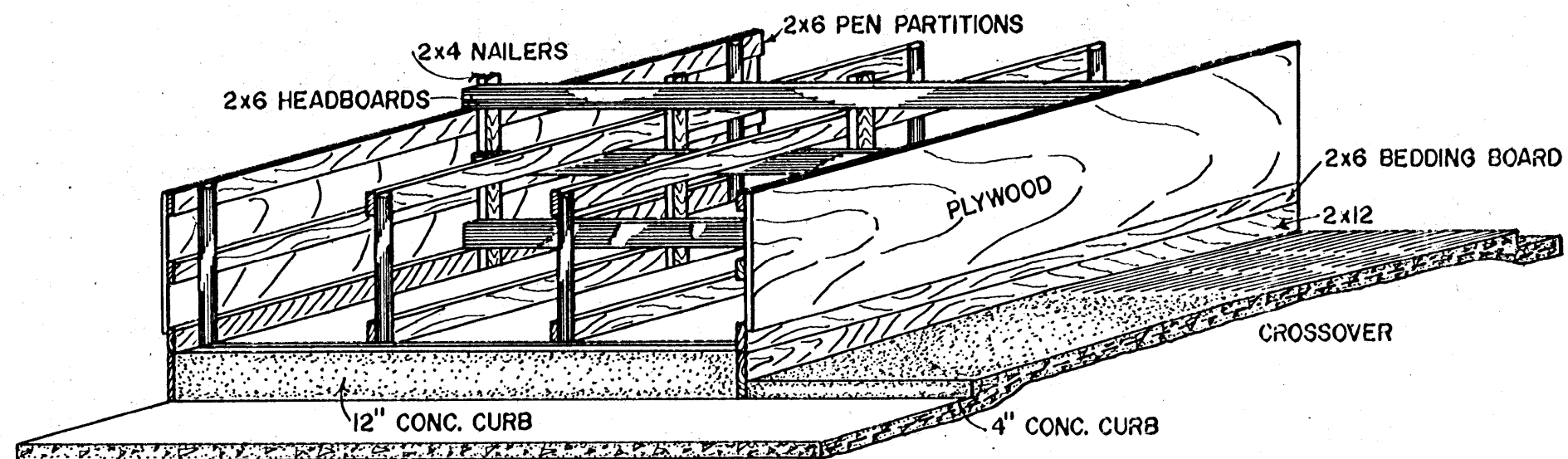
LAYOUT
 SCALE: $\frac{3}{32}'' = 1'-0''$ 12' 0" 1 2 3 4



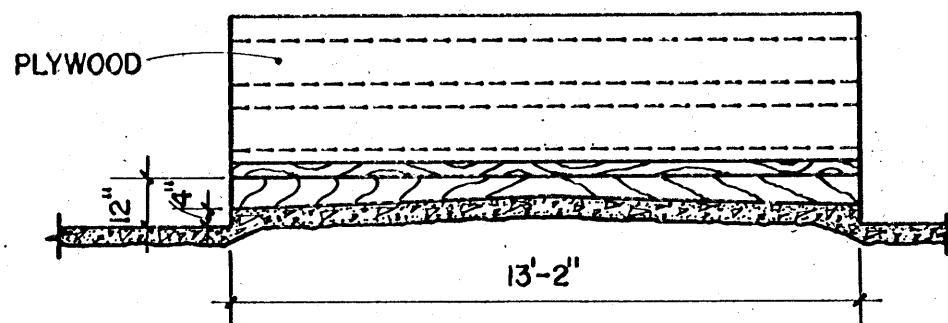
CROSS-SECTIONS OF ROOFING ALTERNATIVES
 NO SCALE



ALTERNATE LOCATIONS FOR MILKING, HOLDING, & HOSPITAL AREAS
 NO SCALE



FREE-STALL PICTORIAL
 NO SCALE

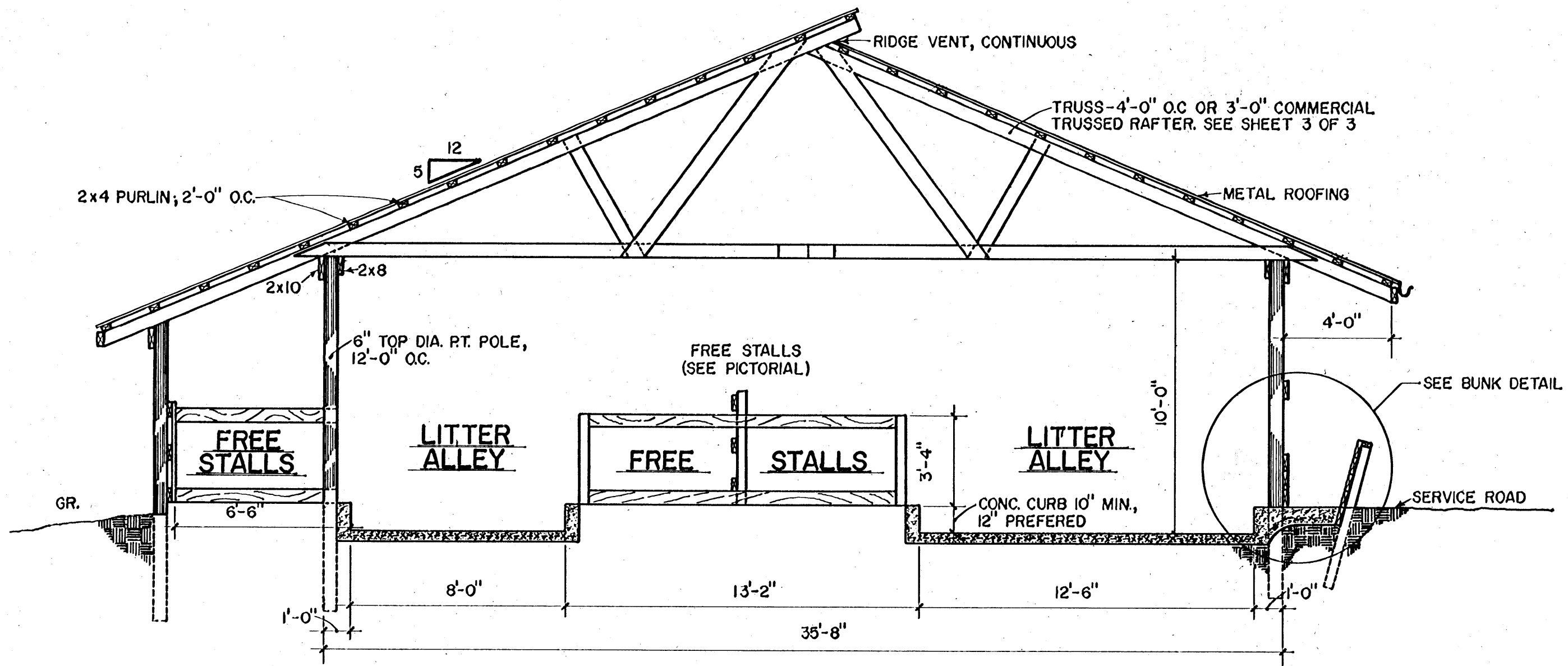


CROSSOVER SECTION
 SCALE: $\frac{1}{4}'' = 1'-0''$ 12' 6" 0" 1' 2' 3' 4'

COOPERATIVE EXTENSION WORK IN AGRICULTURE AND HOME ECONOMICS
 STATE OF MISSISSIPPI
 MISSISSIPPI STATE UNIVERSITY
 AND
 UNITED STATES DEPARTMENT OF AGRICULTURE COOPERATING

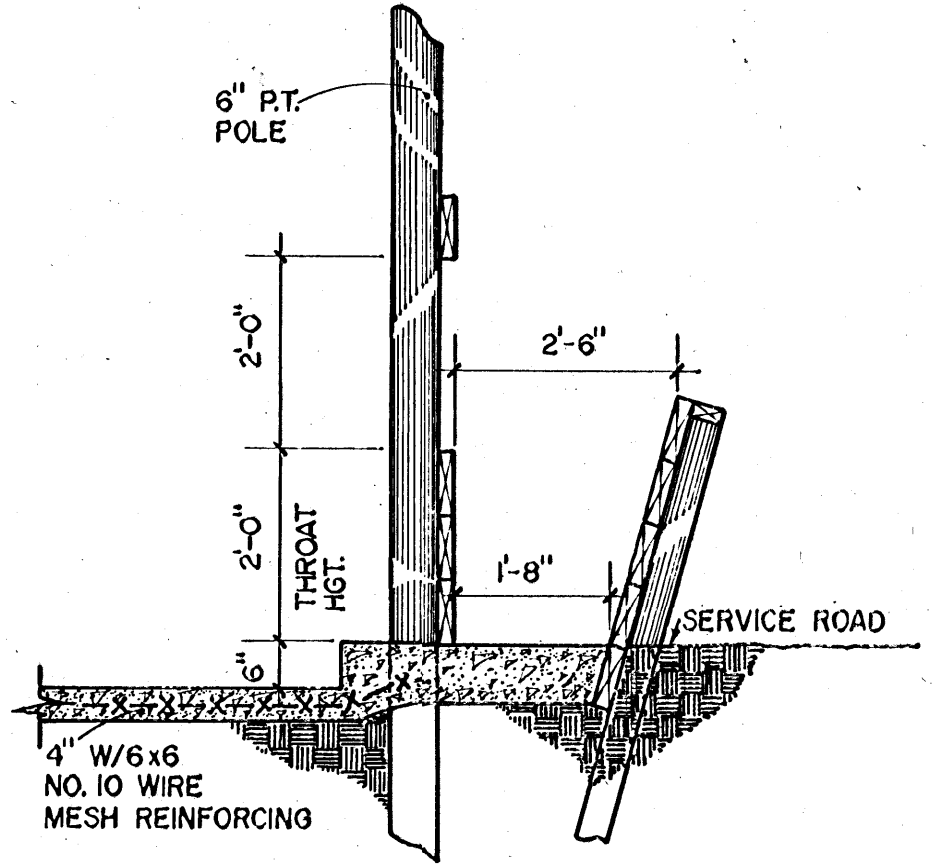
FREESTALL HOUSING FACILITY-HIGH DENSITY-

| | | | |
|-----|-----|------|--------------|
| VA. | '78 | 6313 | SHEET 1 OF 3 |
|-----|-----|------|--------------|



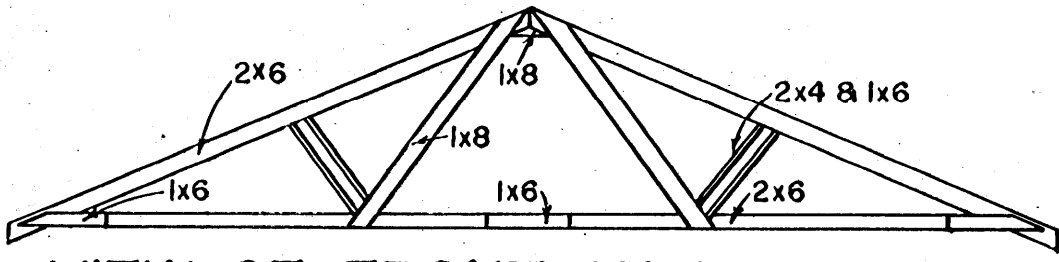
CROSS-SECTION

SCALE: $\frac{1}{4}'' = 1'-0''$ 12' 6' 0" 1' 2' 3' 4'

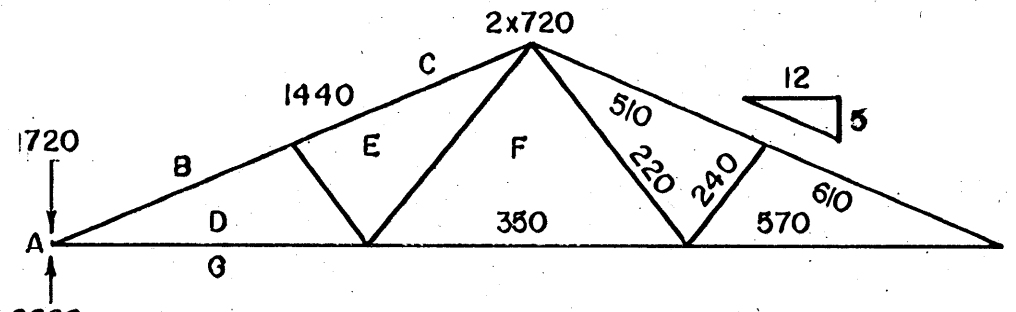


BUNK DETAIL

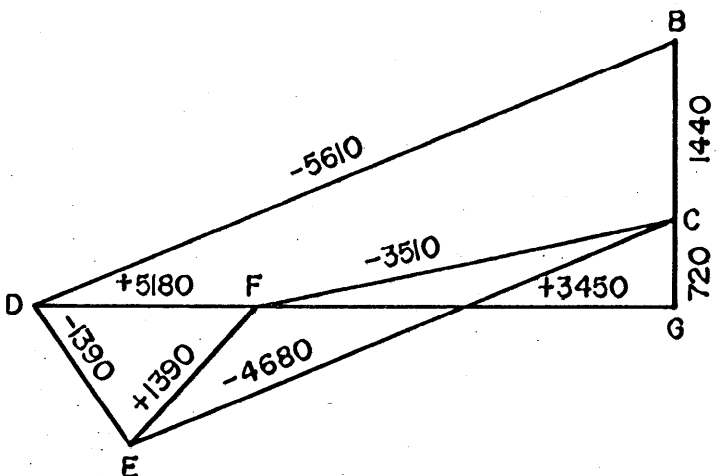
SCALE: $\frac{1}{2}'' = 1'-0''$ 12' 9' 6" 3' 0" 1' 2' 3'



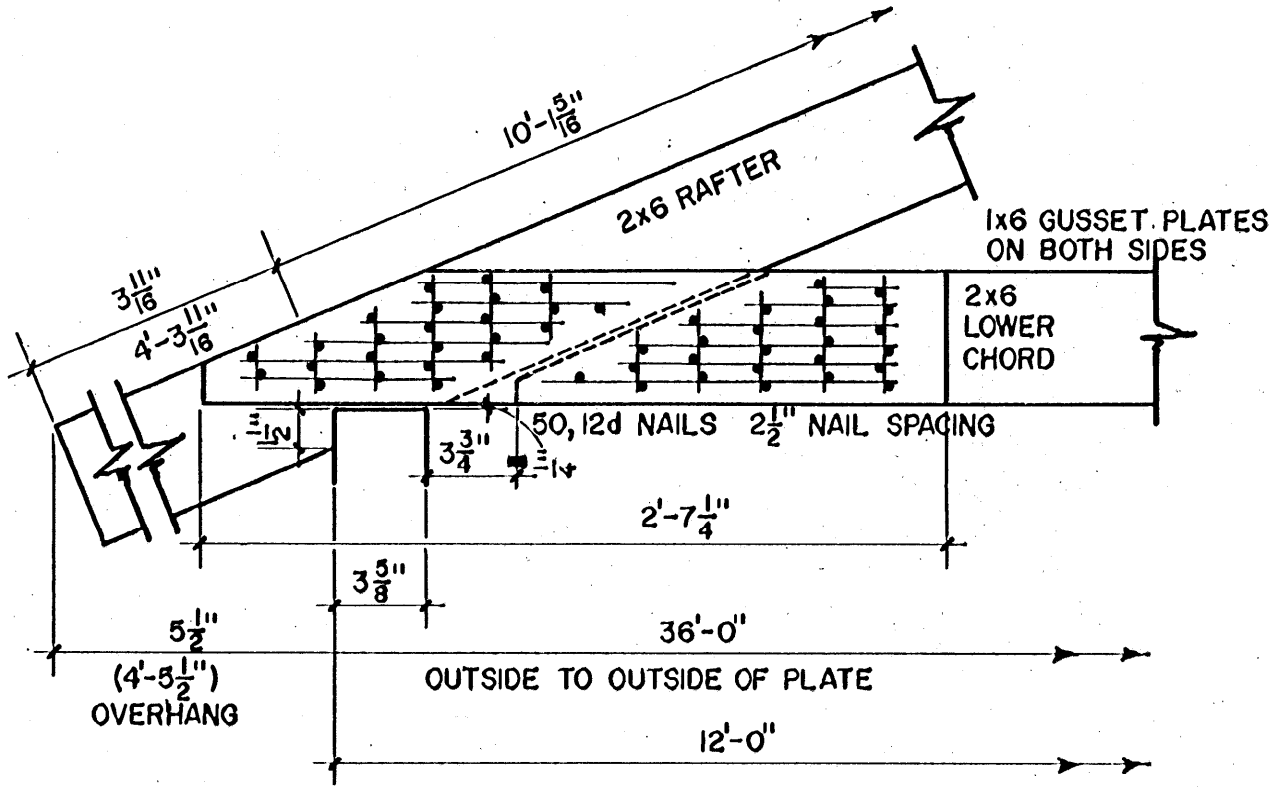
VIEW OF FRONT OF ASSEMBLY



LOAD AND STRESS DIAGRAMS

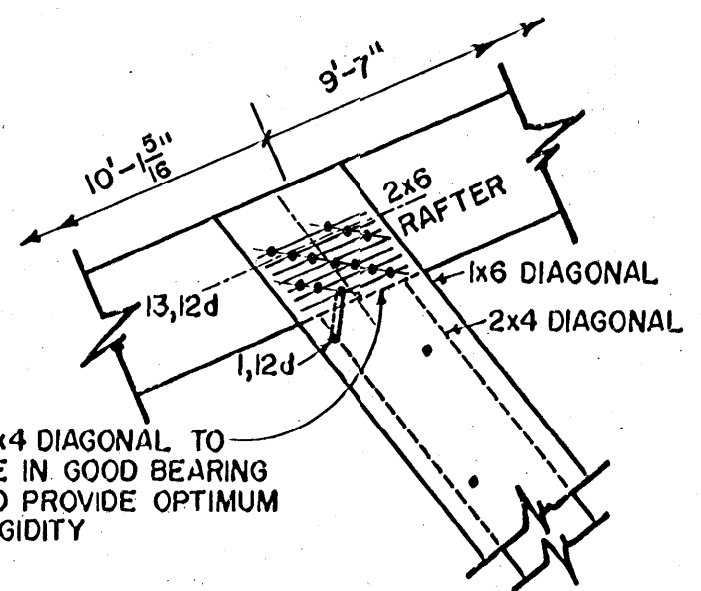


DEAD LOAD & LIVE LOAD ON ROOF: 40 LB./SQ. FT.
 TRUSSED RAFTERS SPACED 4'-0" O.C.
 LUMBER NO. 1 SOUTHERN PINE OR DOUGLAS FIR
 C=135 PSI COMPRESSION PARALLEL TO GRAIN
 F=1500 PSI MODULUS OF RUPTURE
 E=1,760,000 PSI MODULUS OF ELASTICITY
 CAMBER $\frac{5}{8}$ " AT CENTER SPLICE



HEEL JOINT

WITH 50, 12d NAILS
 SCALE: $\frac{1}{2}'' = 1'-0''$ 12" 9" 6" 3" 0"



RAFTER-DIAGONAL JOINT

WITH 13, 12d NAILS
 SCALE: $\frac{1}{2}'' = 1'-0''$

NOTES:

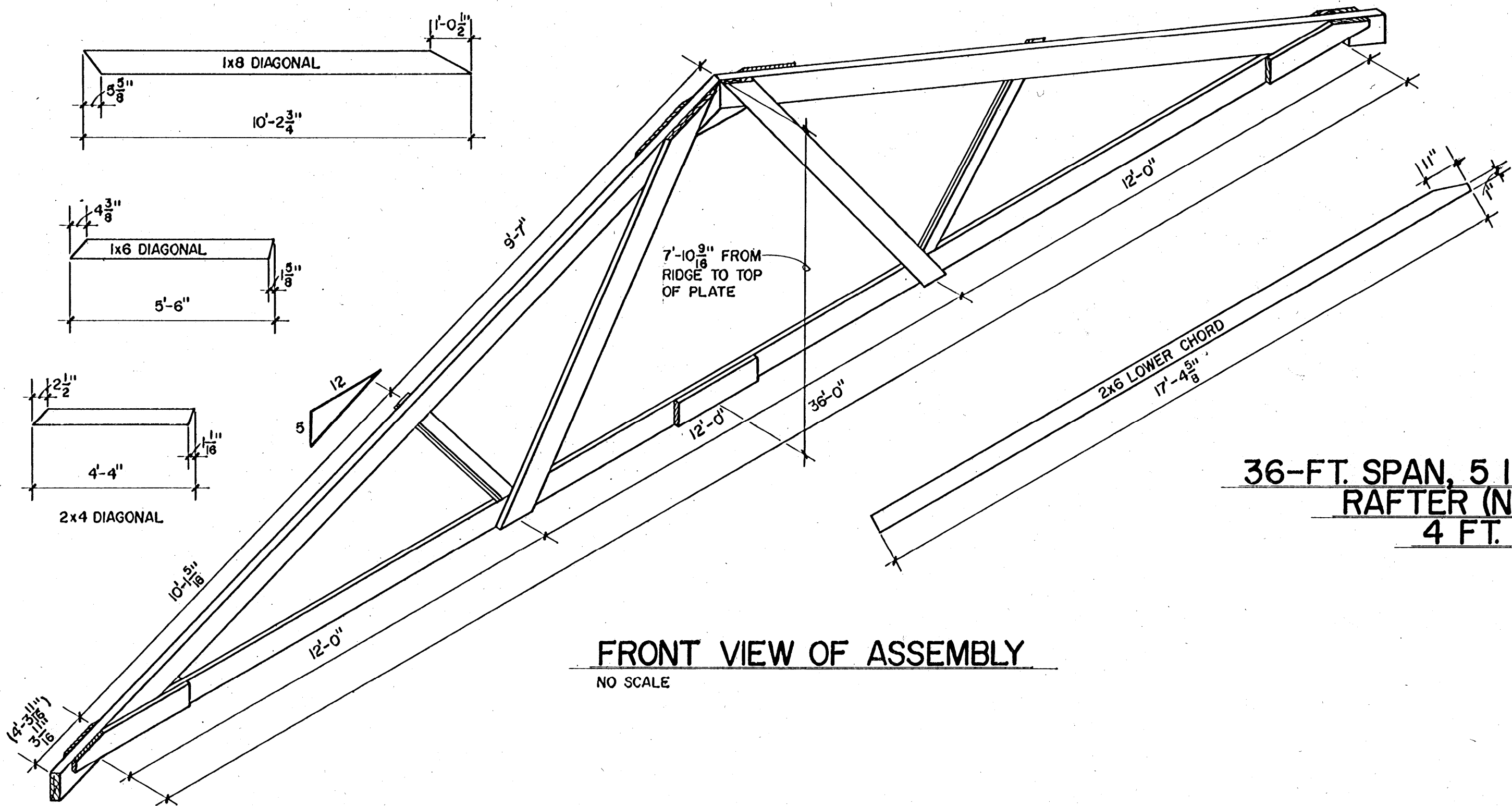
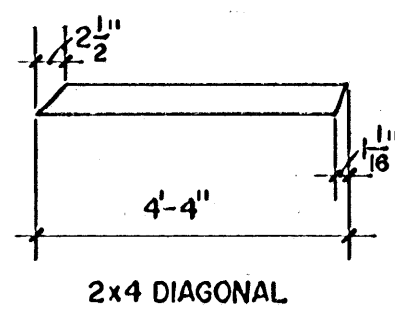
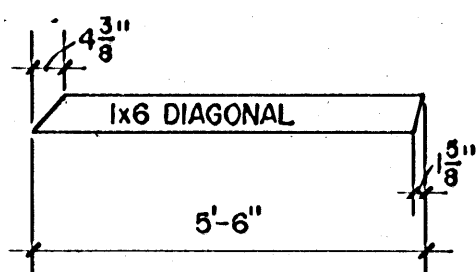
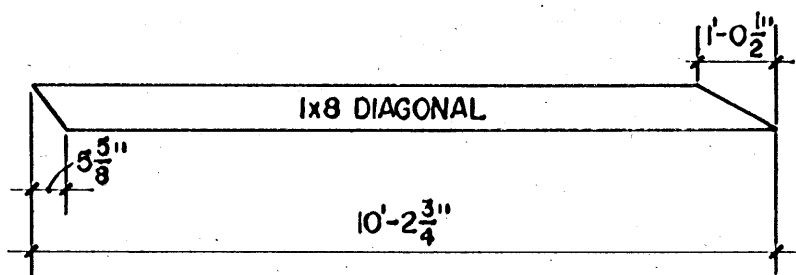
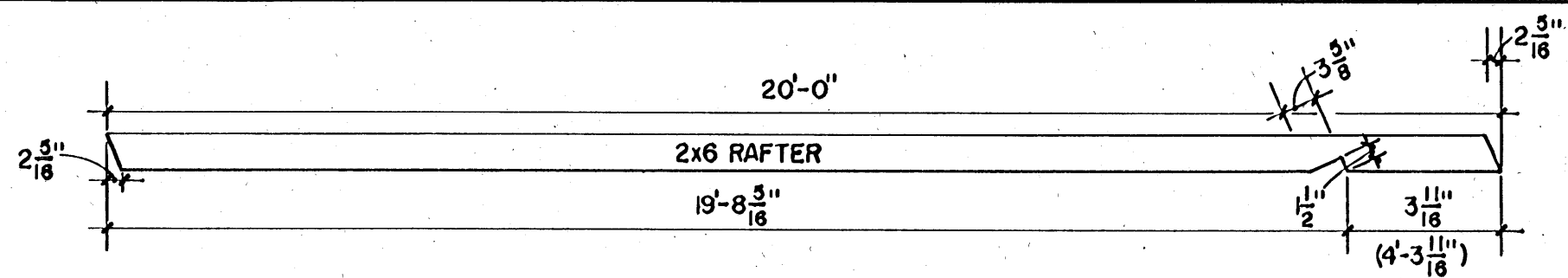
- 1) USE HELICALLY THREADED SCREWTITE OR EQUIVALENT NAILS FOR PERMANENTLY TIGHT JOINTS THROUGHOUT STRUCTURE.
- 2) USE HARDENED NAILS IN DRY SOUTHERN PINE.
- 3) DRIVE ALL NAILS FROM FRONT EXCEPT THOSE SHOWN AS (O).
- 4) USE TEMPLATES FOR LOCATING ALL NAILS TO ASSURE MAXIMUM EFFECIENCY AND EFFECTIVENESS.

SCALE: NO SCALE, UNLESS OTHERWISE NOTED

COOPERATIVE EXTENSION WORK IN
 AGRICULTURE AND HOME ECONOMICS
 STATE OF MISSISSIPPI
 MISSISSIPPI STATE UNIVERSITY
 AND
 UNITED STATES DEPARTMENT OF AGRICULTURE COOPERATING

**FREESTALL HOUSING
 FACILITY-HIGH DENSITY-**

VA. '78 6313 SHEET 2 OF 3



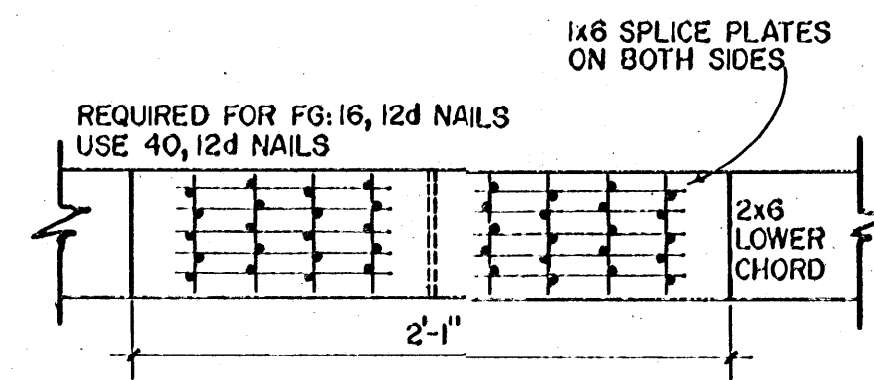
FRONT VIEW OF ASSEMBLY

NO SCALE

BILL OF MATERIALS

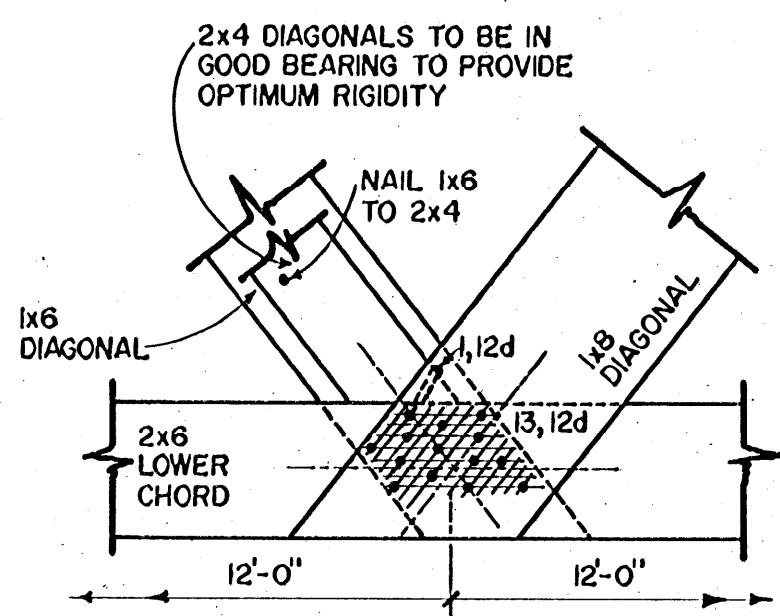
| | | |
|-------------------|--------------|--|
| RAFTERS | 2 PCS. | 2x6x20'-0" (24'-0") |
| LOWER CHORD | 2 PCS. | 2x6x17'-4 5/8" |
| DIAGONALS | 2 PCS. | 2x4x4'-4" |
| | 2 PCS. | 1x6x5'-6" |
| | 2 PCS. | 1x8x10'-2 3/4" |
| SPLICES | 2 PCS. | 1x6x2'-1" |
| GUSSETS | 4 PCS. | 1x6x2'-7 1/4" |
| | 1 PCS. | 1x8x3'-0" |
| NAILS (SCREWTITE) | 230-270 PCS. | BRIGHT 3 1/4" x 0.148" (14 LBS.) |
| | OR | |
| NAILS (SCREWTITE) | 230-270 PCS. | HARDENED 3 1/4" x 0.135" (37 LBS.) |

**36-FT. SPAN, 5 IN 12 PITCH, NAILED TRUSSED
RAFTER (NO CEILING) SPACED
4 FT. ON CENTER**



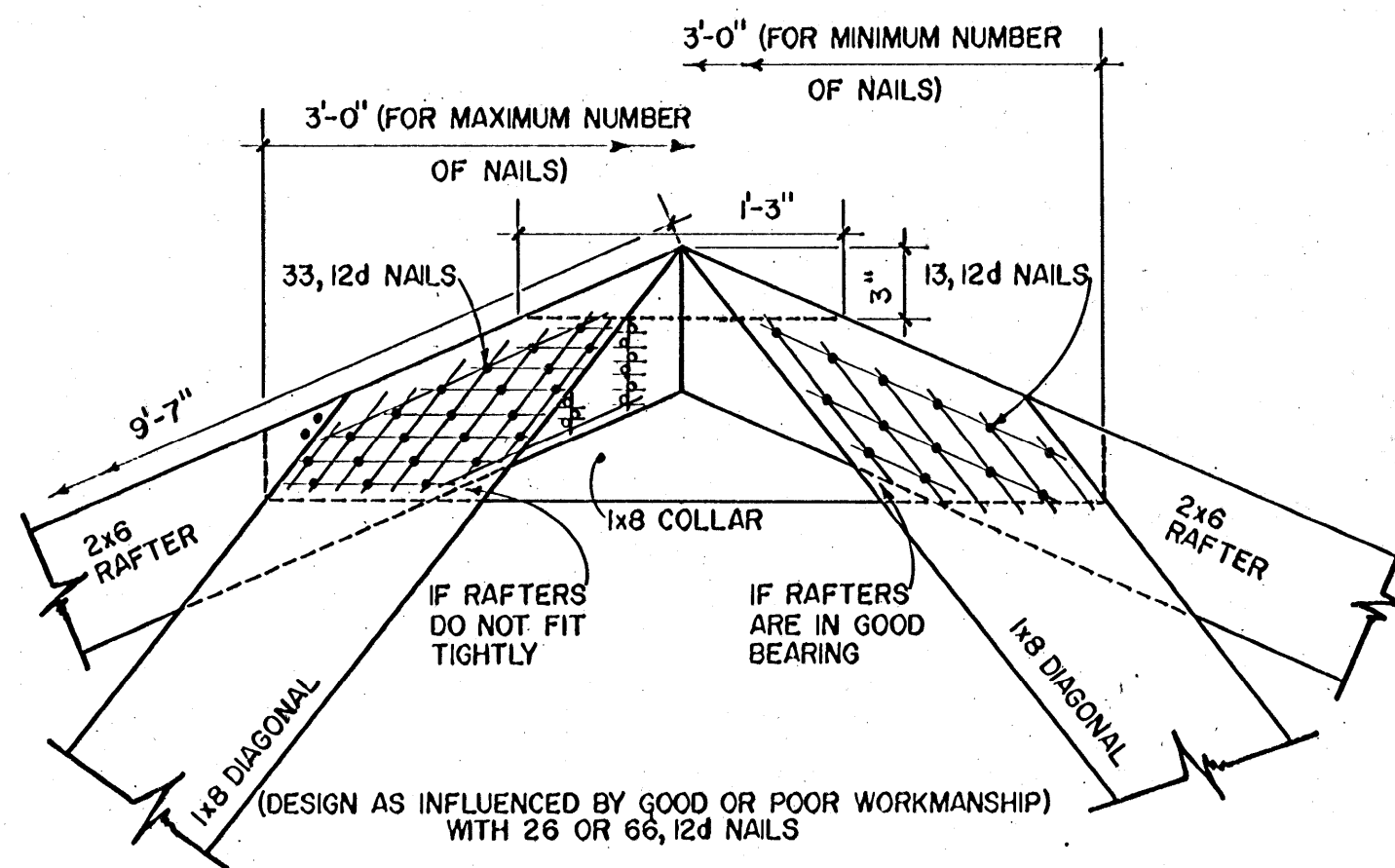
CENTER-SPLICE JOINT

WITH 40, 12d NAILS
SCALE: 1/2" = 1'-0"



CHORD-DIAGONAL JOINT

WITH 14, 12d NAILS
SCALE: 1/2" = 1'-0"



RIDGE JOINT

SCALE: 1/2" = 1'-0" 12" 9" 6" 3" 0"

COOPERATIVE EXTENSION WORK IN
AGRICULTURE AND HOME ECONOMICS
STATE OF MISSISSIPPI
MISSISSIPPI STATE UNIVERSITY
AND
UNITED STATES DEPARTMENT OF AGRICULTURE COOPERATING

**FREESTALL HOUSING
FACILITY-HIGH DENSITY-**

| | | | |
|-----|-----|------|--------------|
| VA. | '78 | 6313 | SHEET 3 OF 3 |
|-----|-----|------|--------------|