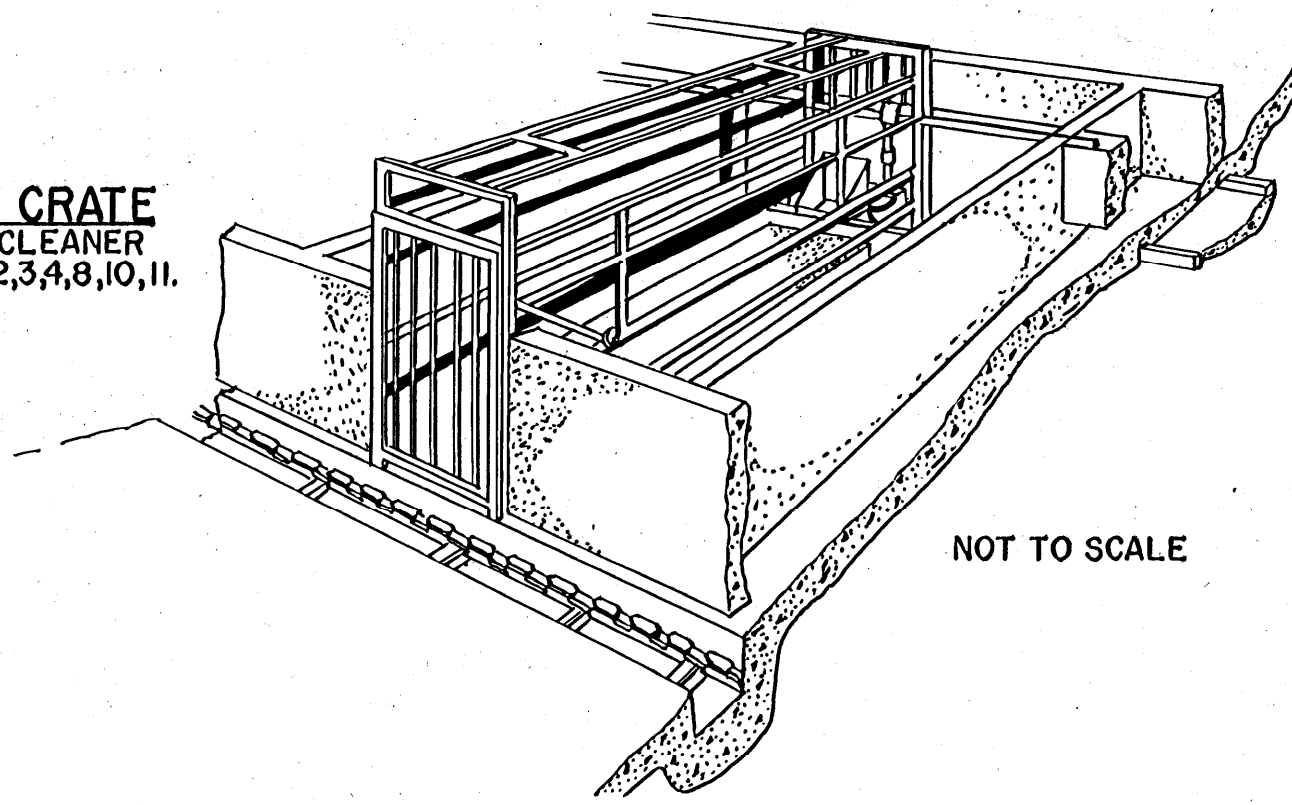
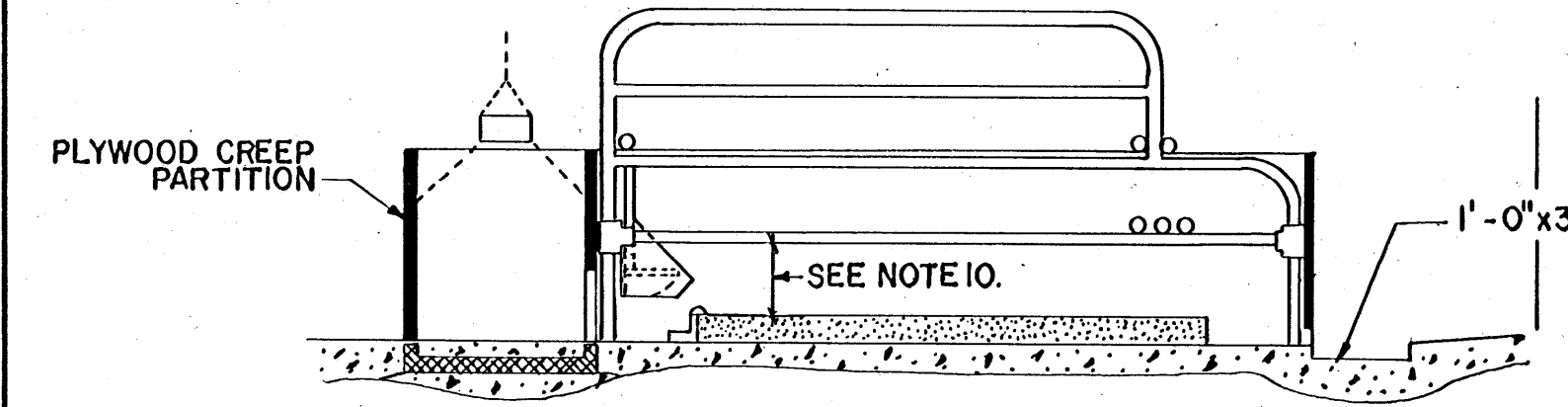


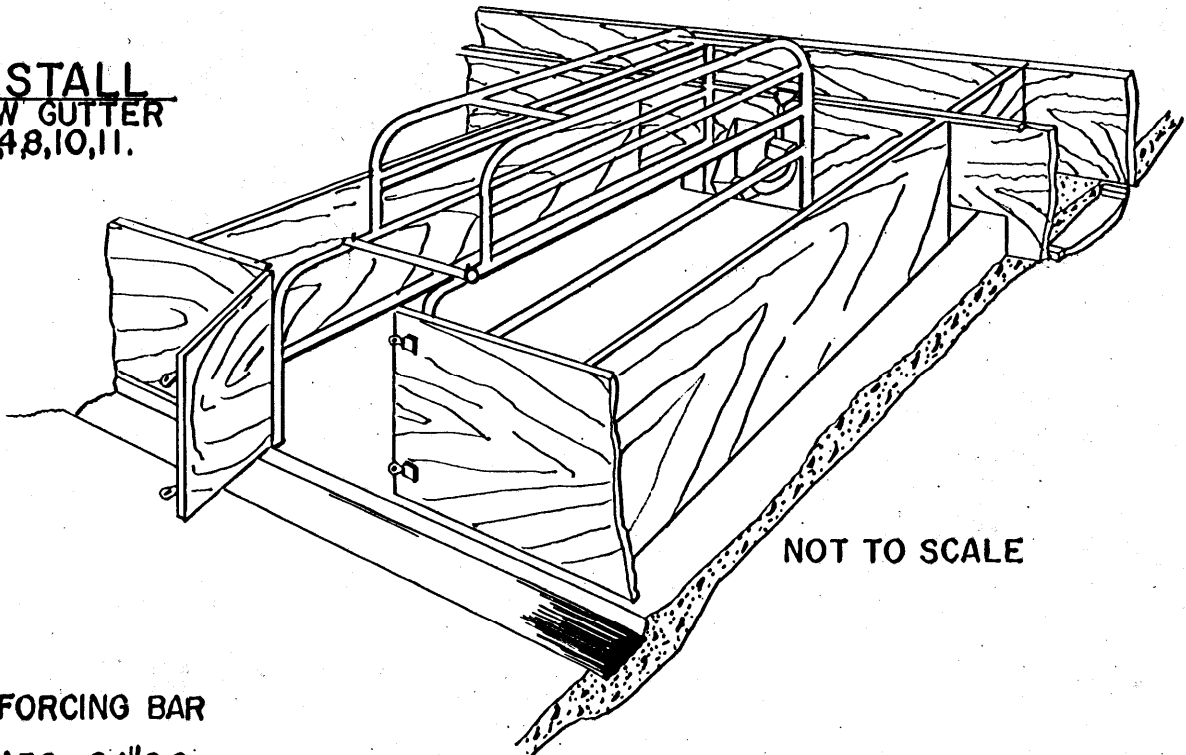
FARROWING CRATE WITH GUTTER CLEANER
SEE NOTES 1,2,3,4,8,10,11.



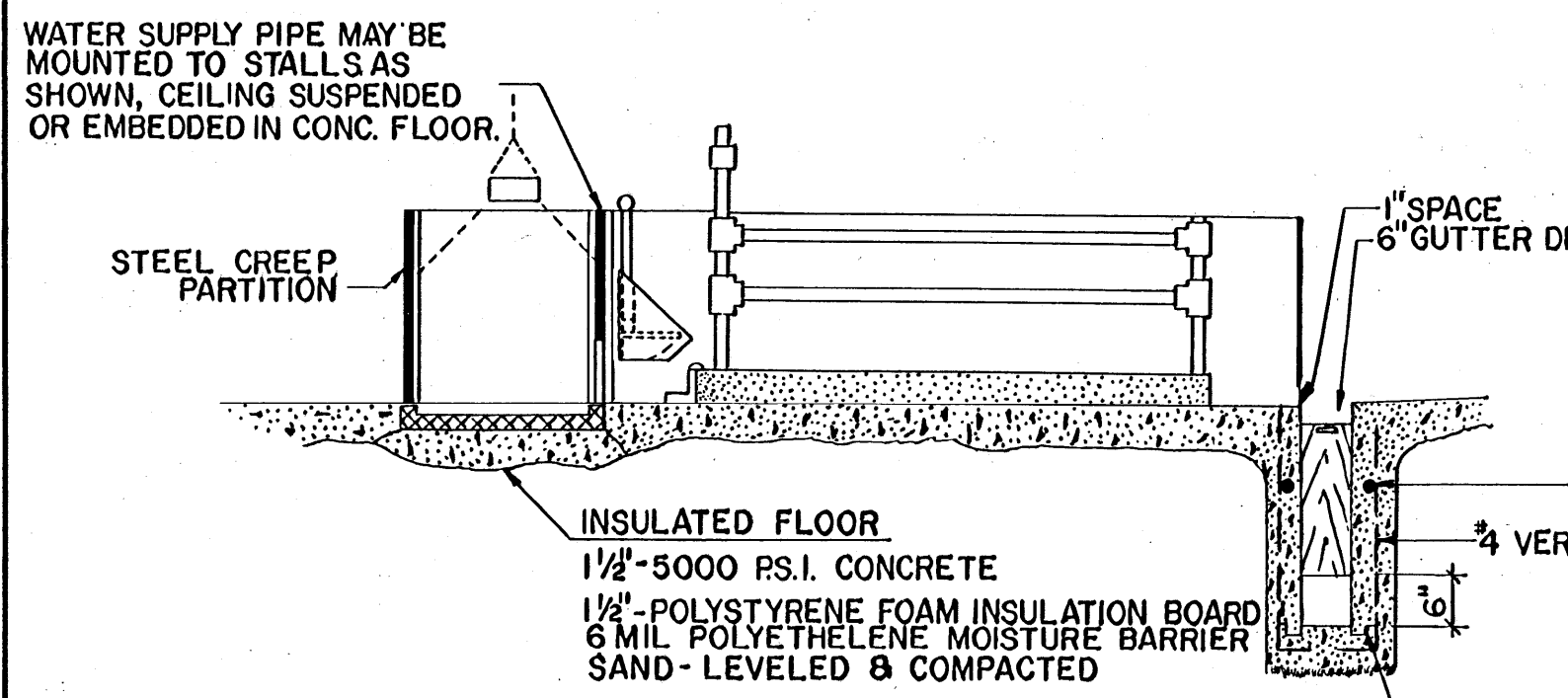
NOT TO SCALE



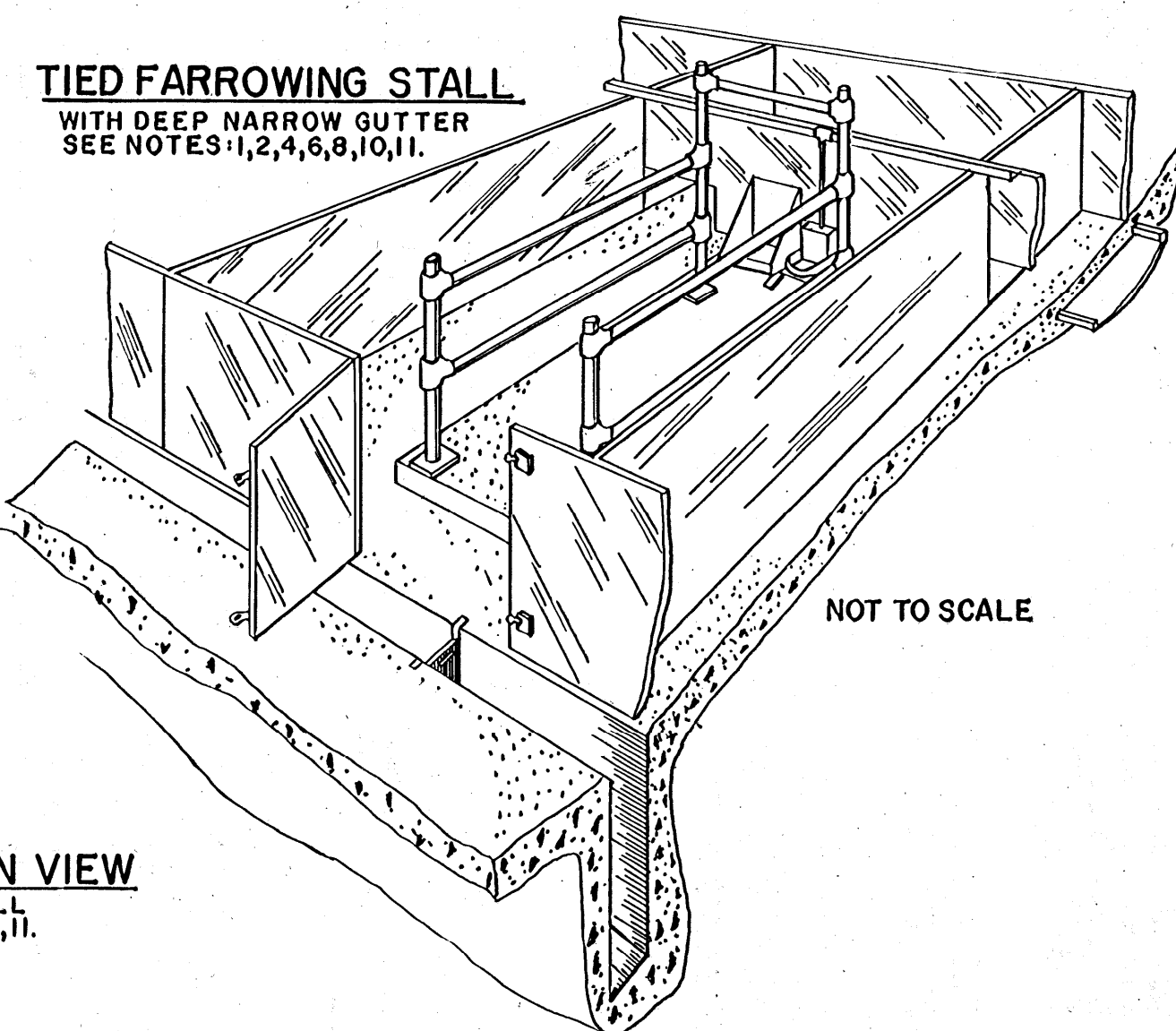
FARROWING STALL WITH SHALLOW GUTTER
SEE NOTE 1,2,4,8,10,11.



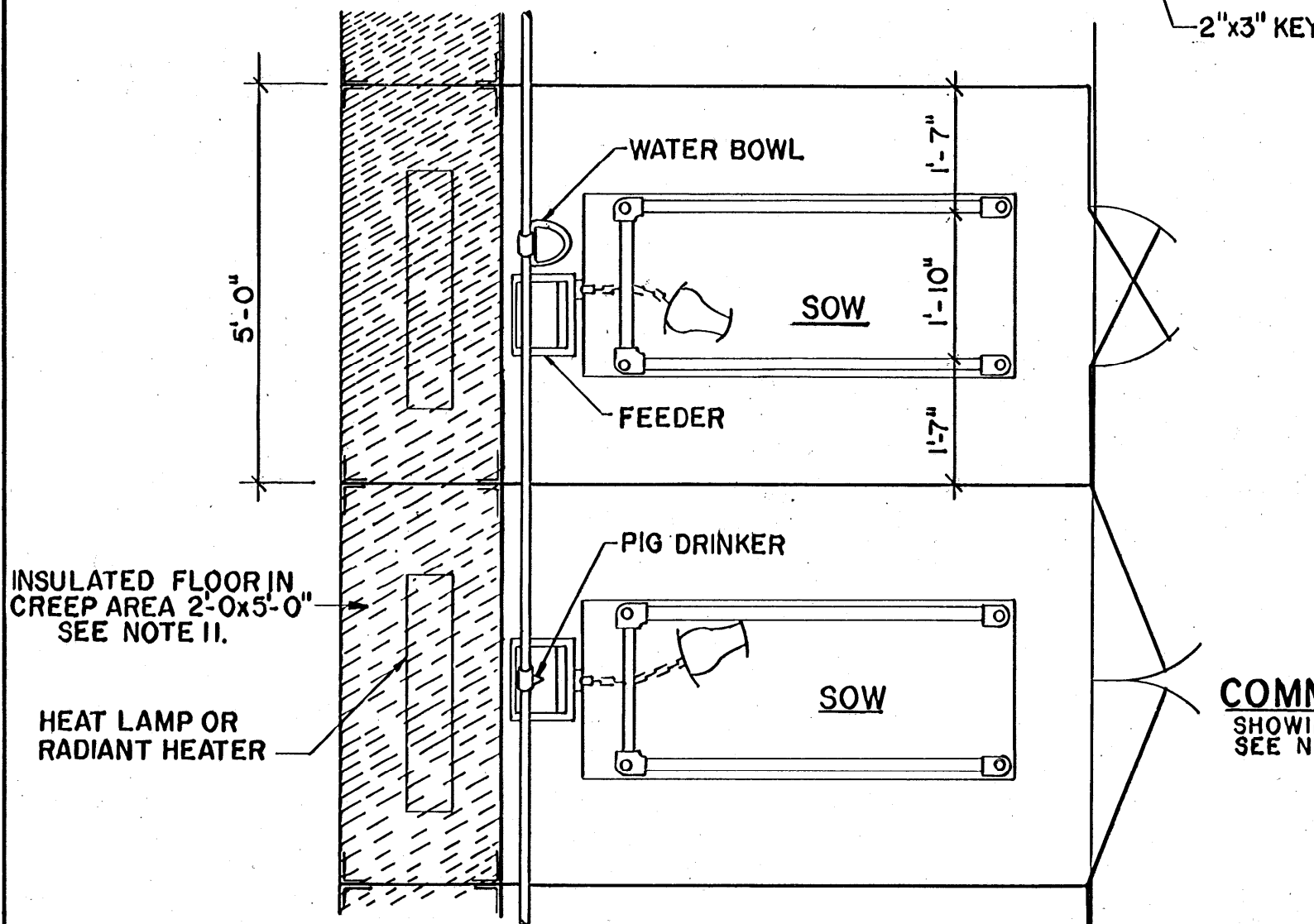
NOT TO SCALE



TIED FARROWING STALL WITH DEEP NARROW GUTTER
SEE NOTES 1,2,4,6,8,10,11.



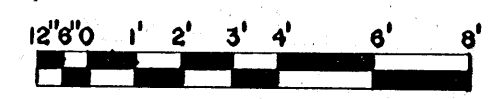
NOT TO SCALE



COMMON PLAN VIEW
SHOWING THE STALL
SEE NOTES 1,5,7,8,11.

NOTES:

1. This plan illustrates 3 types of hardware for farrowing stalls. All three types fit into a floor area approximately 5'-0" x 9'-6". For exact dimensions and location of hardware see manufacturer before setting forms for concrete.
2. All stalls shown are interchangeable with any of the waste disposal systems shown.
3. Gutter for mechanical gutter cleaner should be as narrow as possible. See manufacturer for minimum dimensions available.
4. Stall partitions to be 16" high for pigs up to 4 weeks of age, or 24" high for pigs to 6 weeks of age.
5. Gate may be as shown, or 5-foot width of stall and hinged both end.
6. Deep gutter to have removable baffles 10'-0" O.C. and located under stall gates, for removal. Gutter bottom to slope 1" in 25'-0" forward outlet valve. DO NOT USE BEDDING WITH DEEP GUTTER.
7. Alternative to water bowl may be nozzle drinker or water top located directly over feed hopper. If nozzle drinker is used, see manufacturer for size and height above floor.
8. Note for 2 rows of stalls, face in or face out, minimum inside building width is 27'-0".
9. Tied farrowing may not work for some sows and most gilts, therefore do not use tied stalls exclusively.
10. With the raise pad the height of bottom bar of the farrowing crate should be adjustable 8" to 10" above the pad, not above the floor.
11. Electric resistance heat cable or hot water piping can be used in heated creep area instead of radiant heaters. Place cable or piping on 1" of concrete above the 1-1/2" of polystyrene insulation. Add 1-1/2" of finished conc. on top of cable or piping.



SCALE: 1" = 1'-0" UNLESS OTHERWISE NOTED

COOPERATIVE EXTENSION WORK IN
AGRICULTURE AND HOME ECONOMICS
STATE OF MISSISSIPPI
MISSISSIPPI STATE UNIVERSITY
AND
UNITED STATES DEPARTMENT OF AGRICULTURE COOPERATING

FARROWING STALL WITH FRONT CREEP

USDA '79	EX. 6318	SHEET 1 OF 1
----------	----------	--------------