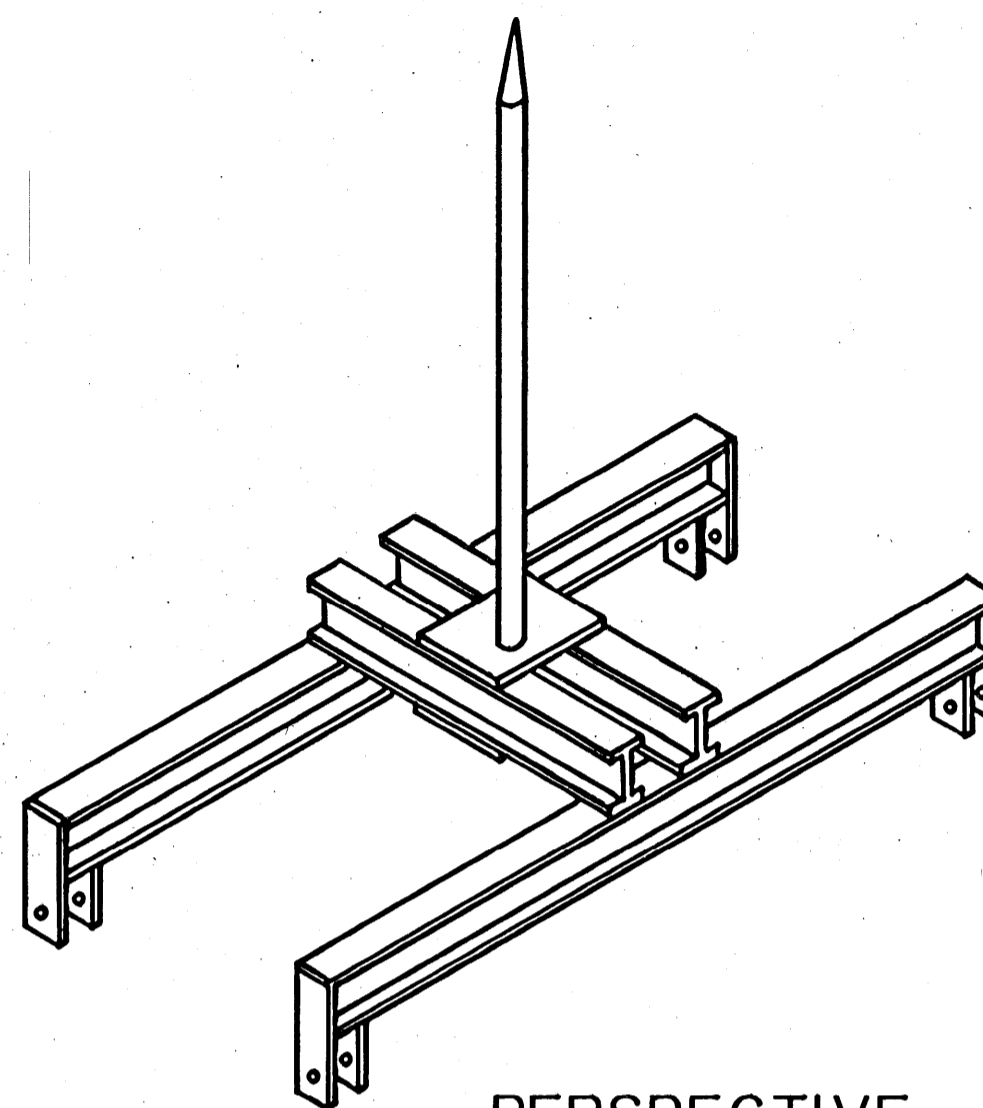
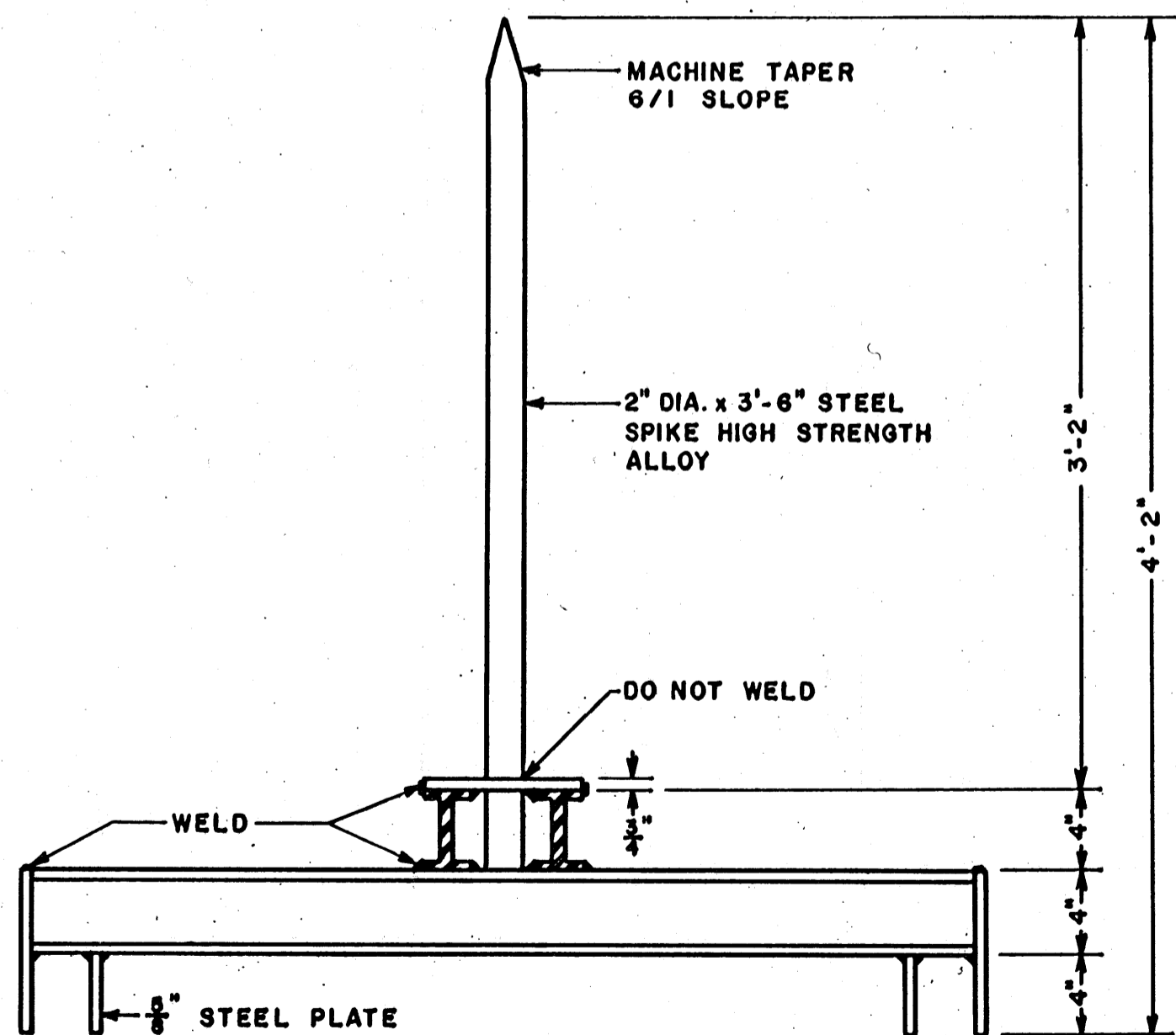


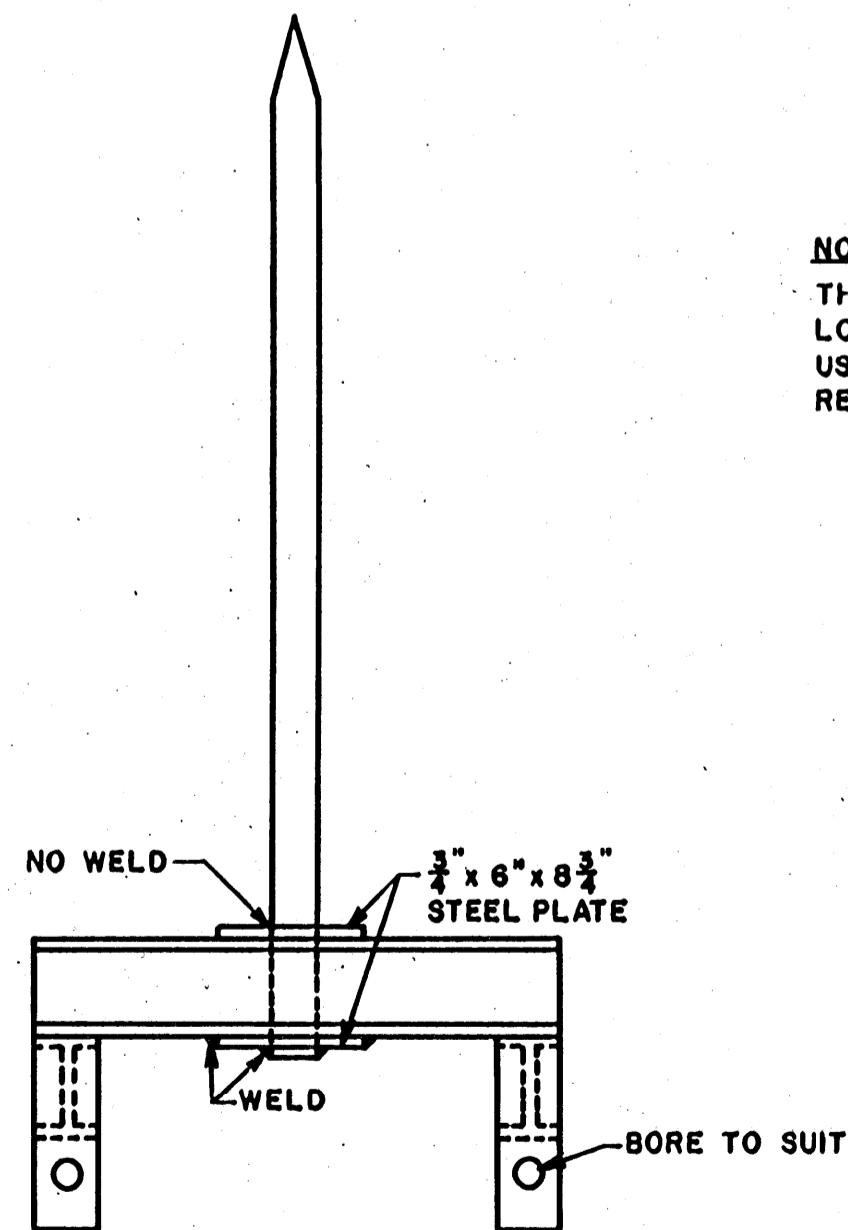
PLAN
SCALE: $1\frac{1}{2}'' = 1'-0''$



PERSPECTIVE
NOT TO SCALE



SIDE ELEVATION
SCALE: $1\frac{1}{2}'' = 1'-0''$



END ELEVATION
SCALE: $1\frac{1}{2}'' = 1'-0''$

NOTE:
THIS HAY SPIKE SUITABLE FOR FRONT END LOADERS WITH TWO (2) ACTUATORS ONLY. USE WITH SINGLE ACTUATOR LOADER MAY RESULT IN DAMAGE TO LOADER.



COOPERATIVE EXTENSION WORK IN
AGRICULTURE AND HOME ECONOMICS
STATE OF MISSISSIPPI
MISSISSIPPI STATE UNIVERSITY
AND
UNITED STATES DEPARTMENT OF AGRICULTURE COOPERATING

HAY SPIKE

EX. 6329

SHEET 1 OF 1

NOTE: BASE ON UNIV. OF FLA PLAN NO. 926