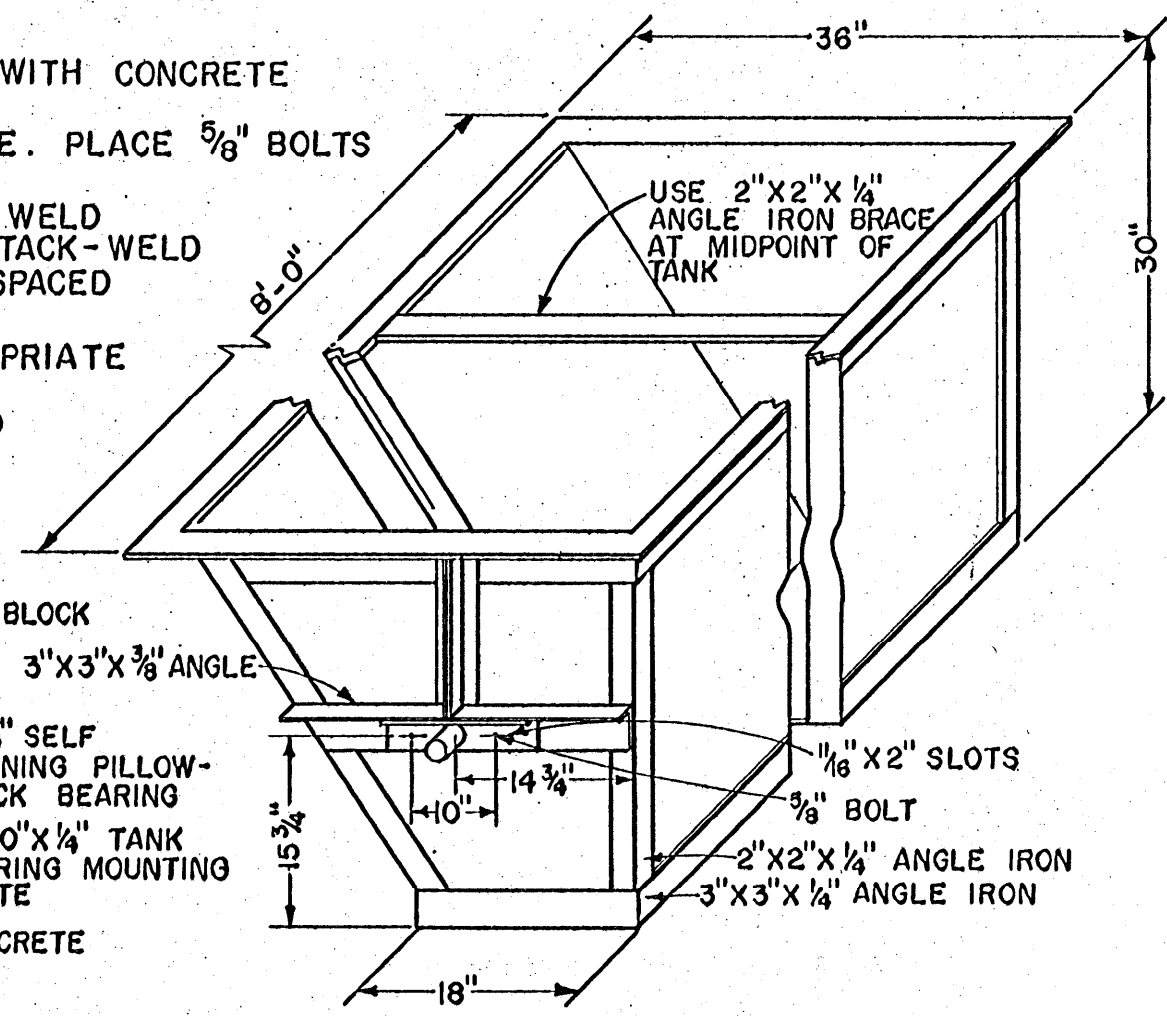
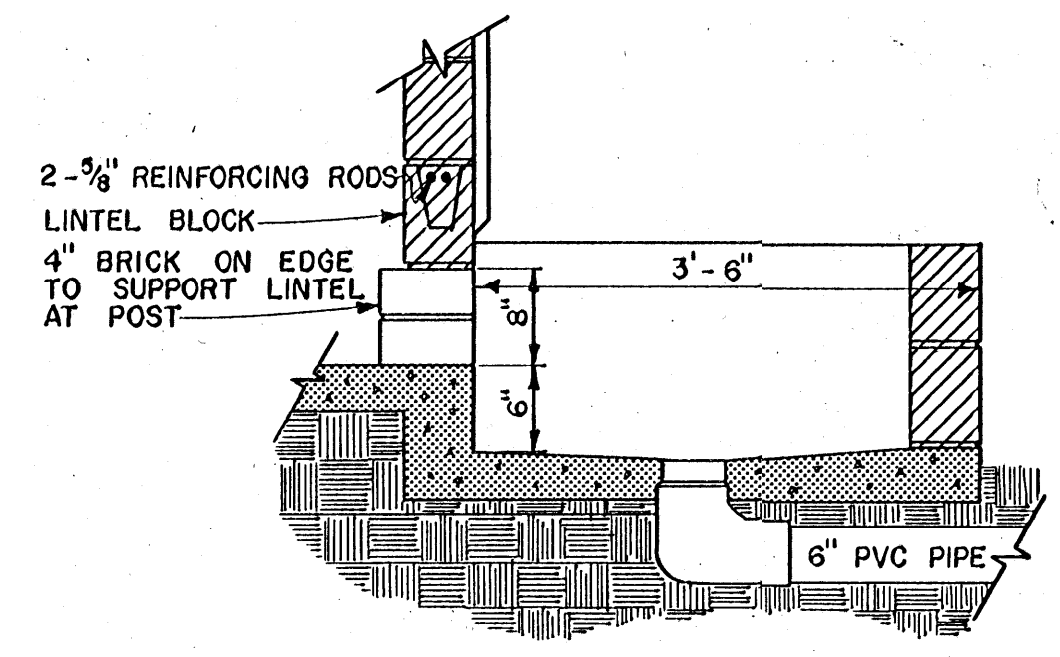


NOTES FOR FLUSH TANK

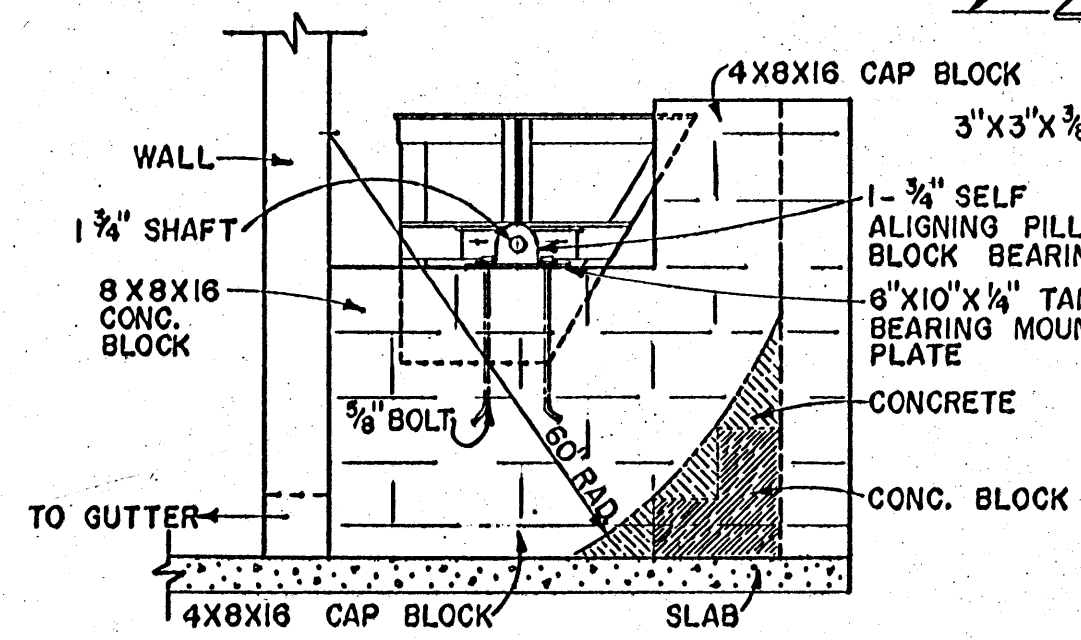
1. FORM CURVED SPLASH SURFACE WITH CONCRETE BLOCKS AND CONCRETE.
2. FILL ALL CORES WITH CONCRETE. PLACE 5/8" BOLTS WHEN FILLING CORES.
3. USE 12 GAUGE SHEET METAL. WELD CONTINUOUSLY TO AVOID LEAKAGE. TACK-WELD FRAME TO TANK WITH 2" WELDS SPACED 8" O.C.
4. USE EPOXY PAINT WITH APPROPRIATE PRIMER.
5. ADJUST SHAFT AS NEEDED TO BALANCE TANK. WEIGHTS MAY BE NEEDED FOR FINAL BALANCING.



FLUSH TANK



SECTION B

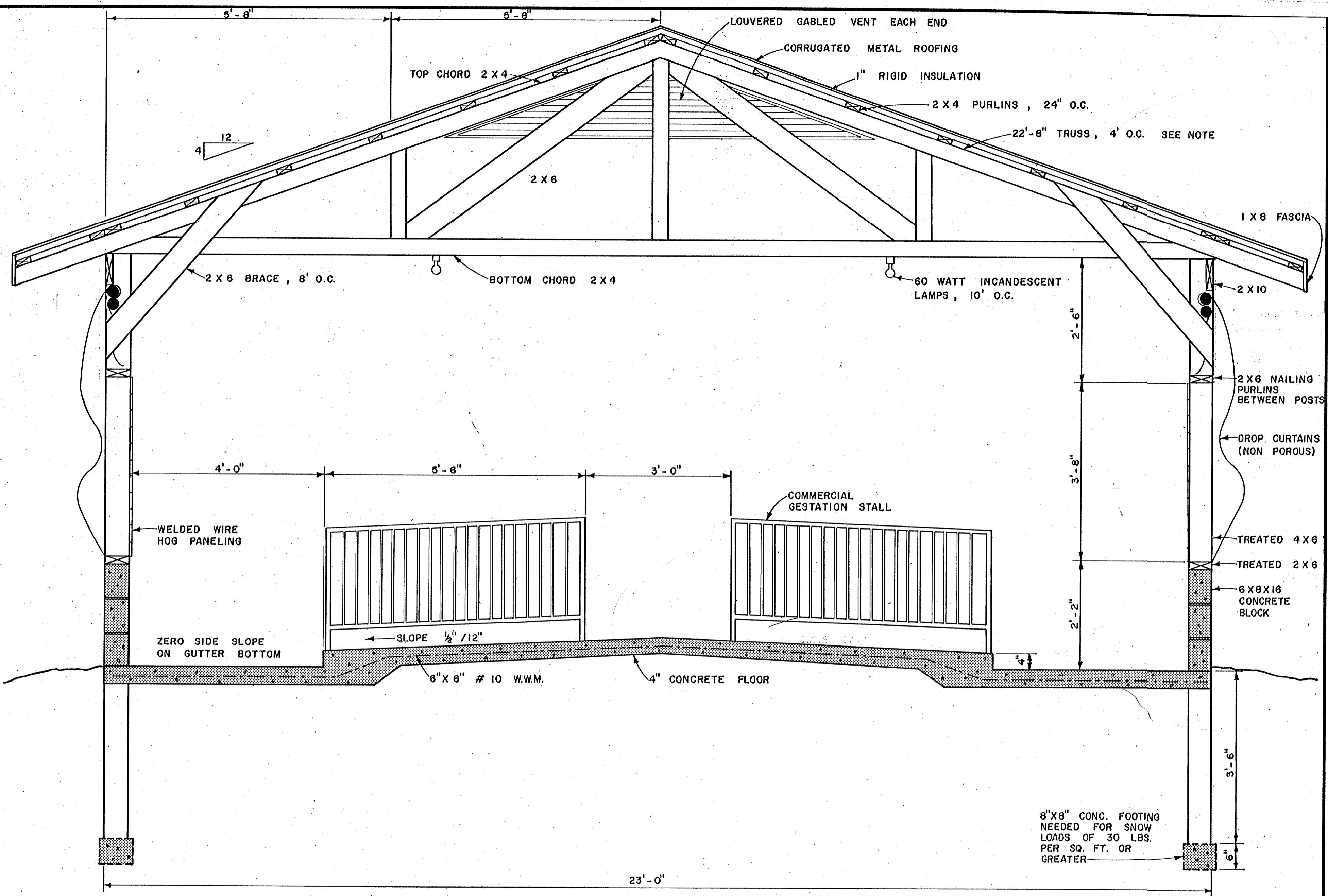


VIEW A

COOPERATIVE EXTENSION WORK IN
AGRICULTURE AND HOME ECONOMICS
 STATE OF MISSISSIPPI
 MISSISSIPPI STATE UNIVERSITY
 AND
 UNITED STATES DEPARTMENT OF AGRICULTURE COOPERATING

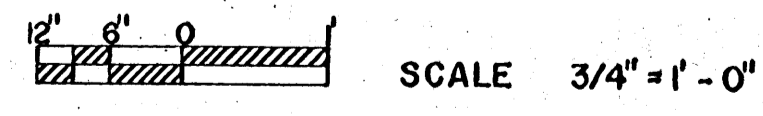
SWINE GESTATION BUILDING

AL '83 EX. 6351 SHEET 1 OF 2



- NOTE:
1. SELECT TRUSS THAT SUPPORTS SNOW AND WIND LOADS FOR YOUR AREA.
 2. THIS BUILDING DESIGNED FOR USE IN MILD CLIMATES.

SECTION A



8"x8" CONC. FOOTING
NEEDED FOR SNOW
LOADS OF 30 LBS.
PER SQ. FT. OR
GREATER

COOPERATIVE EXTENSION WORK IN AGRICULTURE AND HOME ECONOMICS STATE OF MISSISSIPPI MISSISSIPPI STATE UNIVERSITY AND UNITED STATES DEPARTMENT OF AGRICULTURE COOPERATING		
SWINE GESTATION BUILDING		
AL '83	EX. 6351	SHEET 2 OF 2