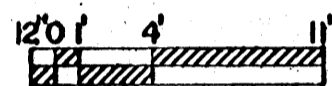
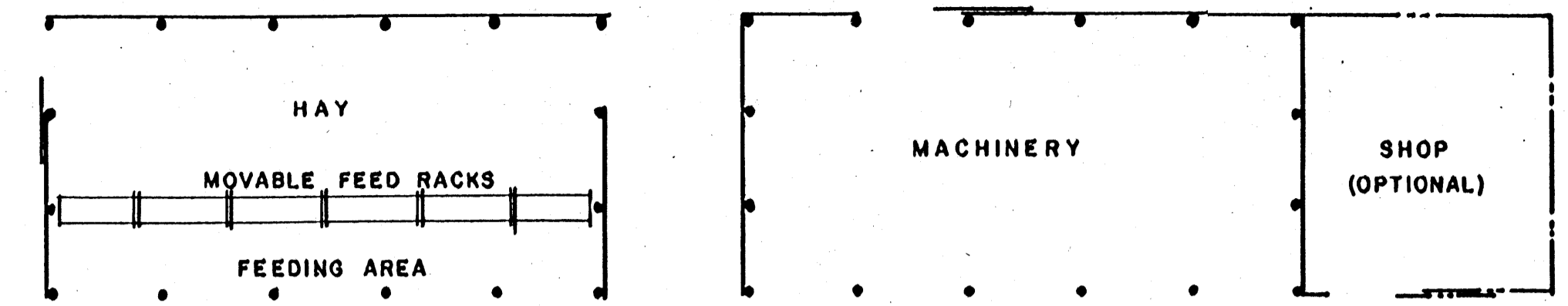


SHEEP BARN

(SEE PLAN NO. 5733 FOR INTERIOR DETAIL)



SCALE 1/8" = 1'-0"

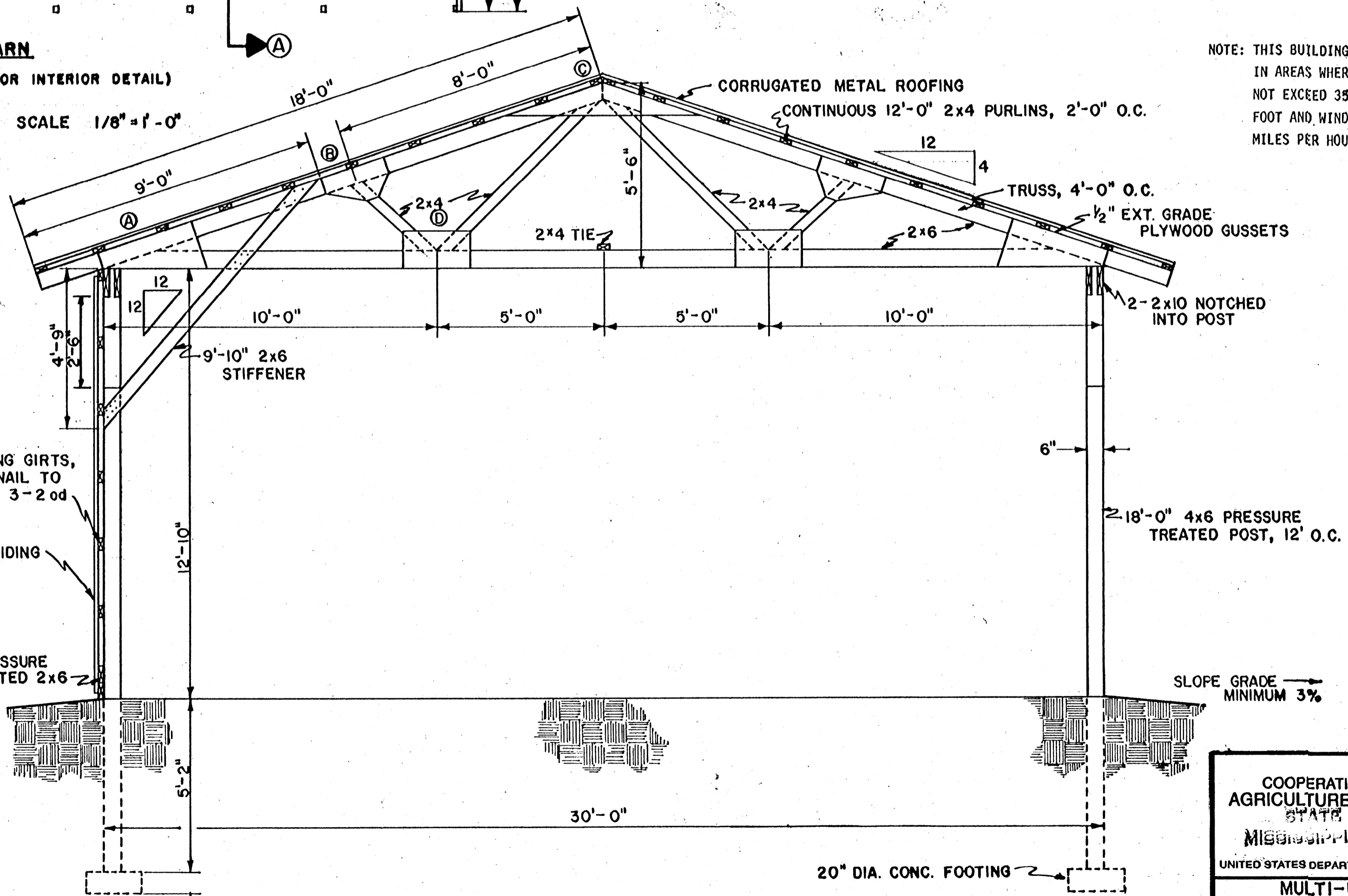


CATTLE & HAY BARN
CAPACITY 24 TO 32 HEAD
(SEE PLAN NO. 5794 FOR INTERIOR DETAIL)

MACHINERY STORAGE
(SEE PLAN NO. 5734 FOR INTERIOR DETAIL)



SCALE 1/16" = 1'-0"



NOTE: THIS BUILDING IS DESIGNED FOR USE IN AREAS WHERE THE SNOW LOAD DOES NOT EXCEED 35 POUNDS PER SQUARE FOOT AND WINDS ARE NOT ABOVE 80 MILES PER HOUR.

SECTION A-A

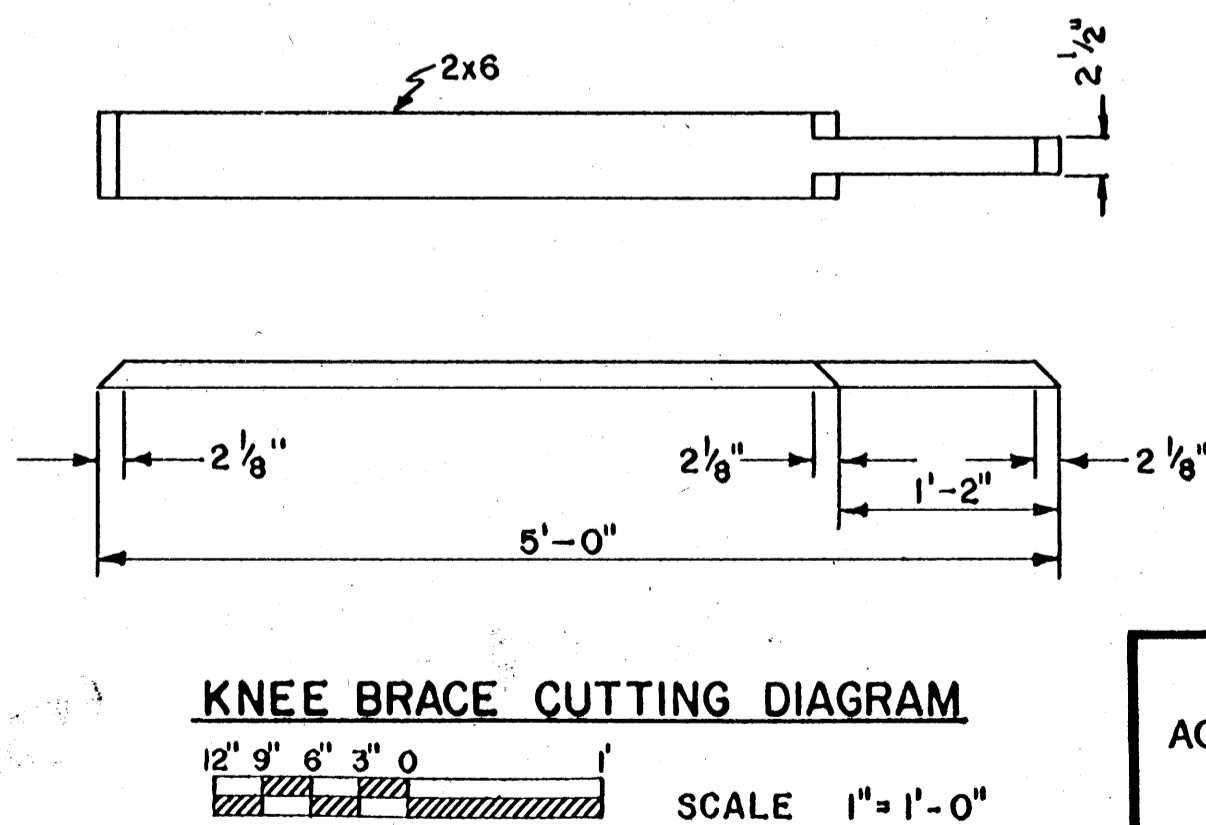
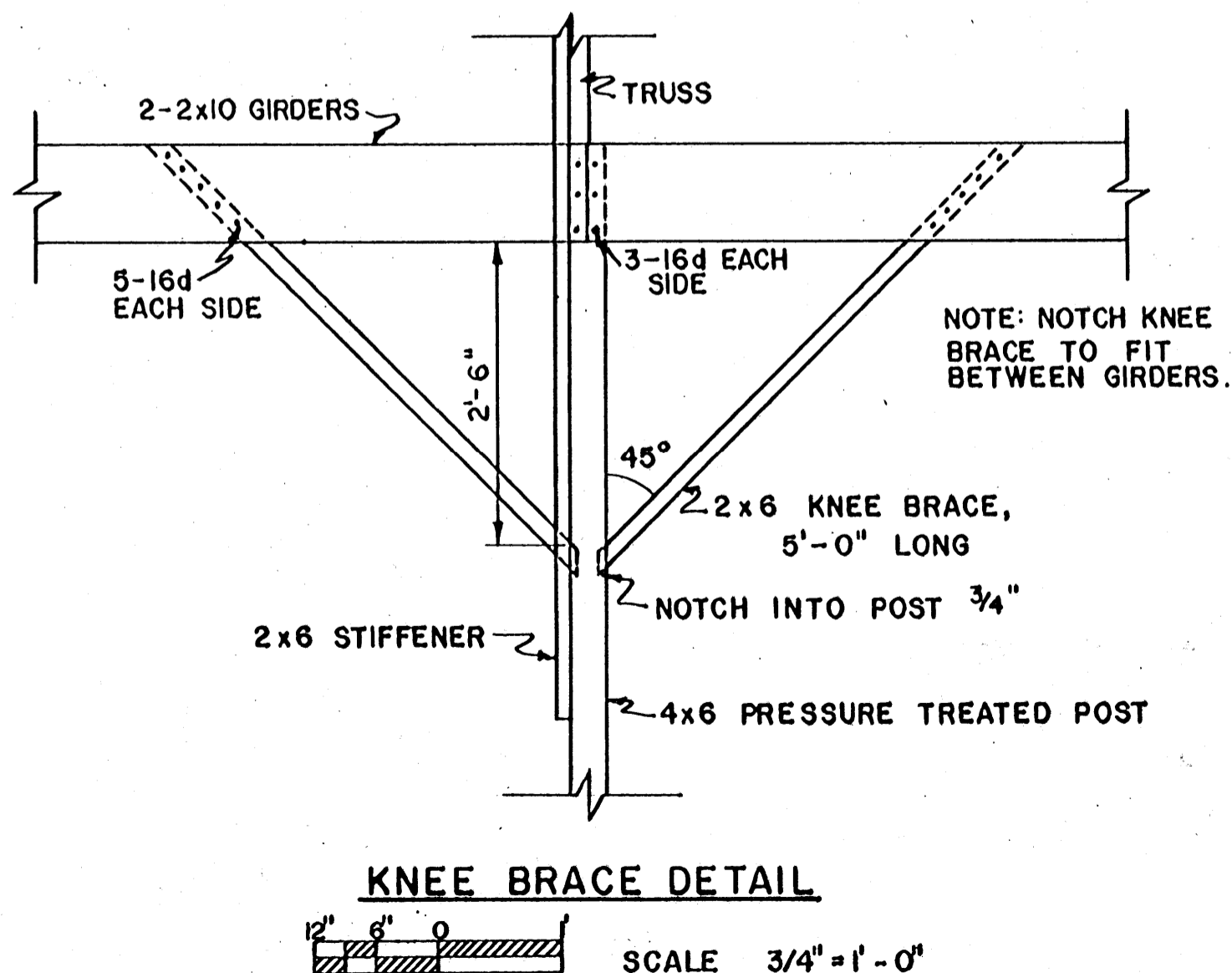
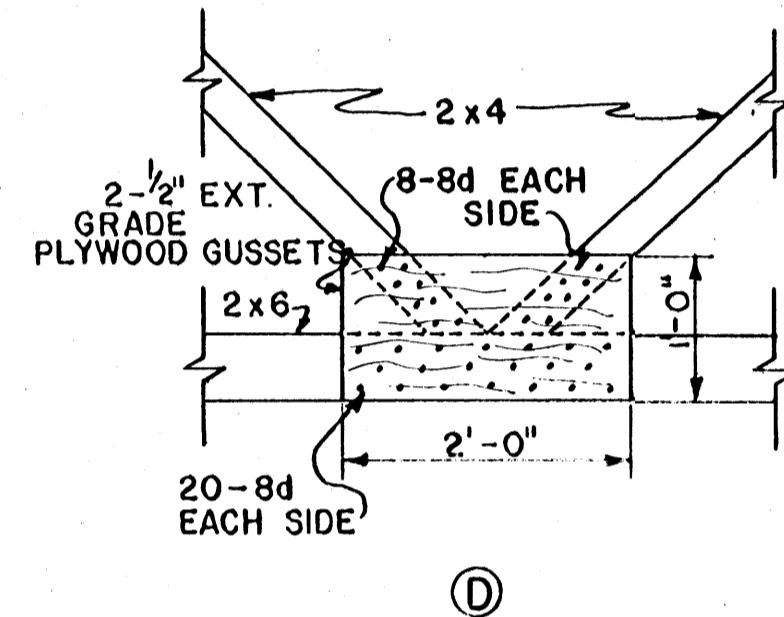
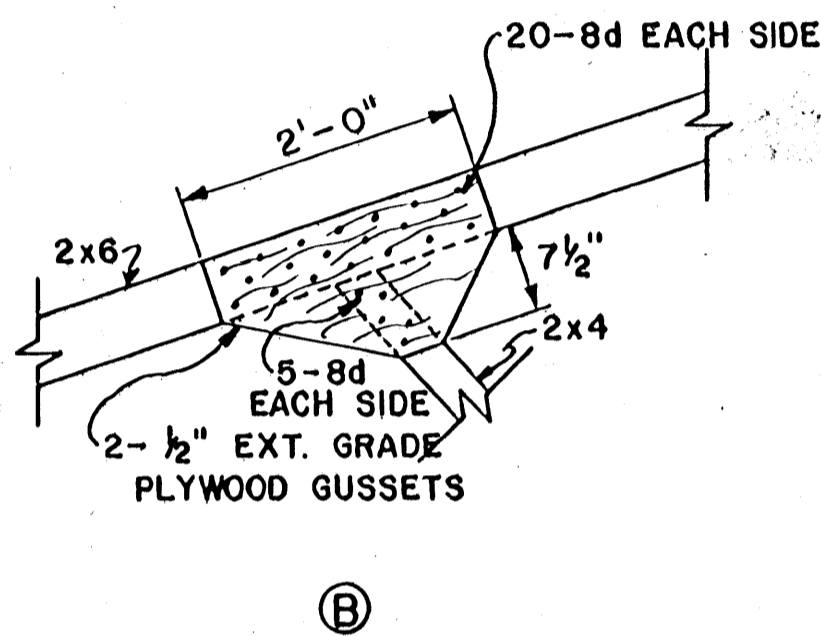
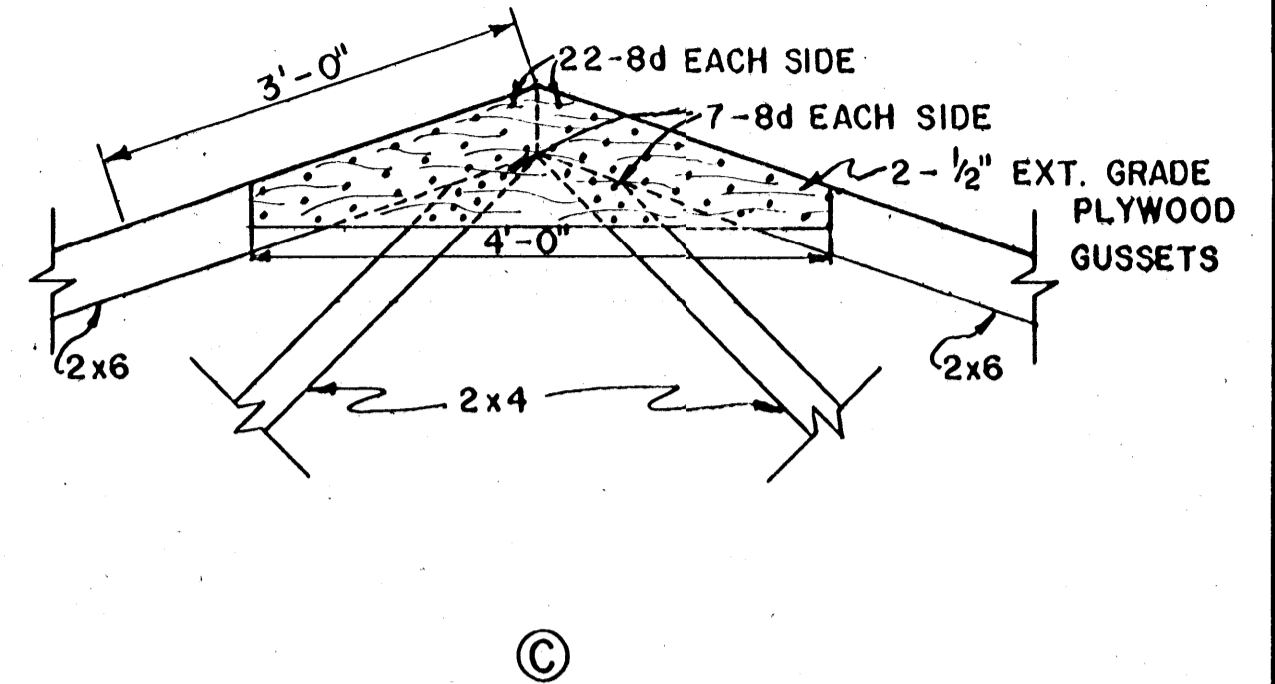
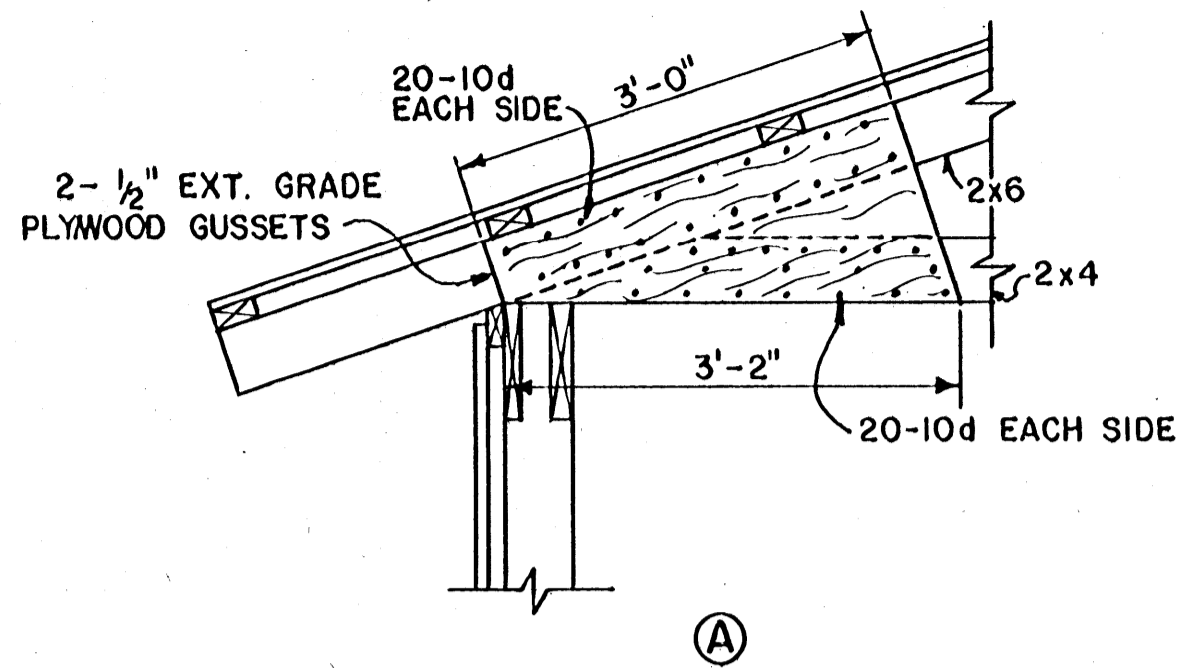
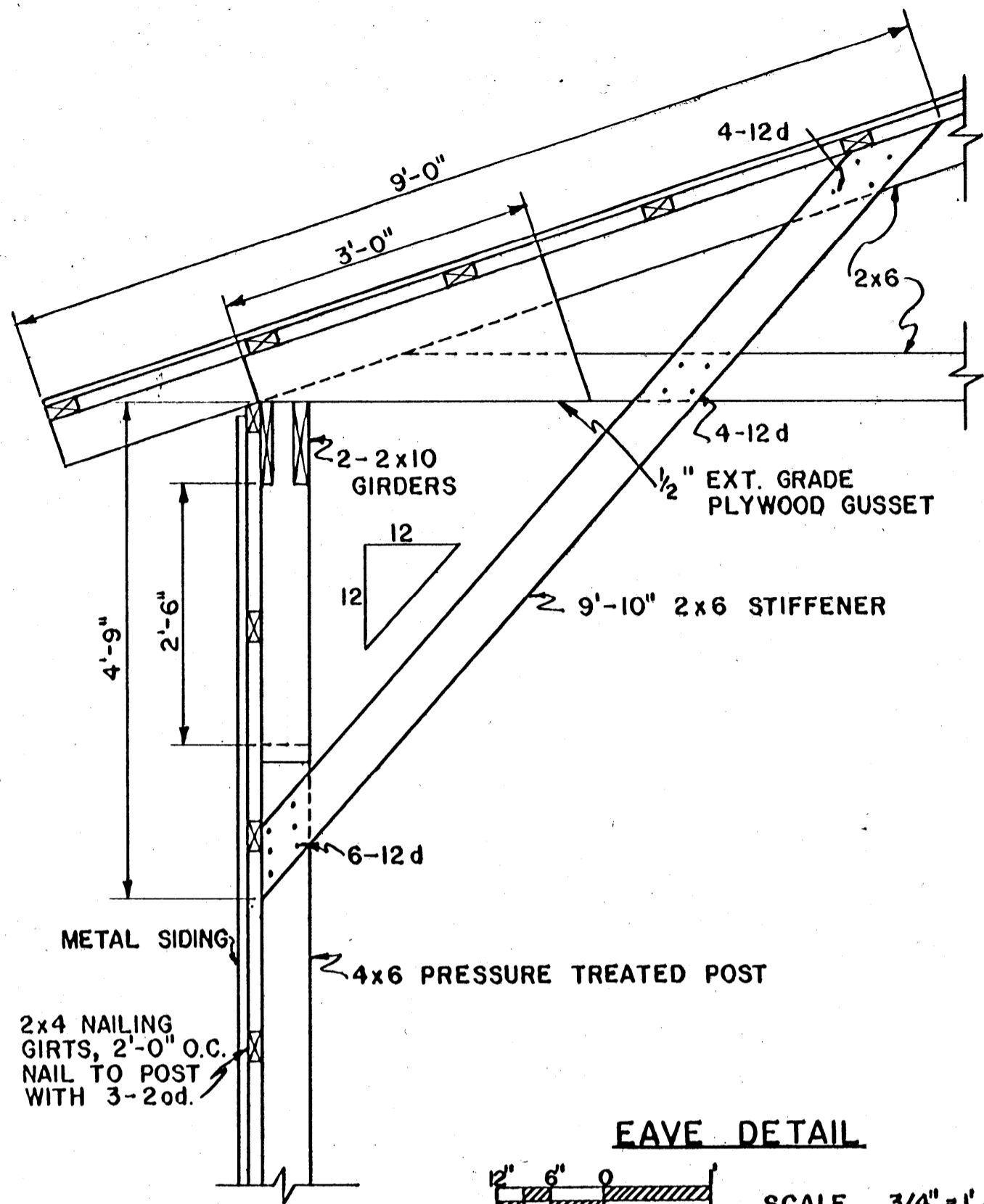


SCALE 3/8" = 1'-0"

COOPERATIVE EXTENSION SERVICE
AGRICULTURE AND HOME ECONOMICS
STATE OF MISSISSIPPI
MISSISSIPPI STATE UNIVERSITY
AND
UNITED STATES DEPARTMENT OF AGRICULTURE COOPERATING

**MULTI-USE POLE BARN
FOR HEAVY SNOW AREAS**

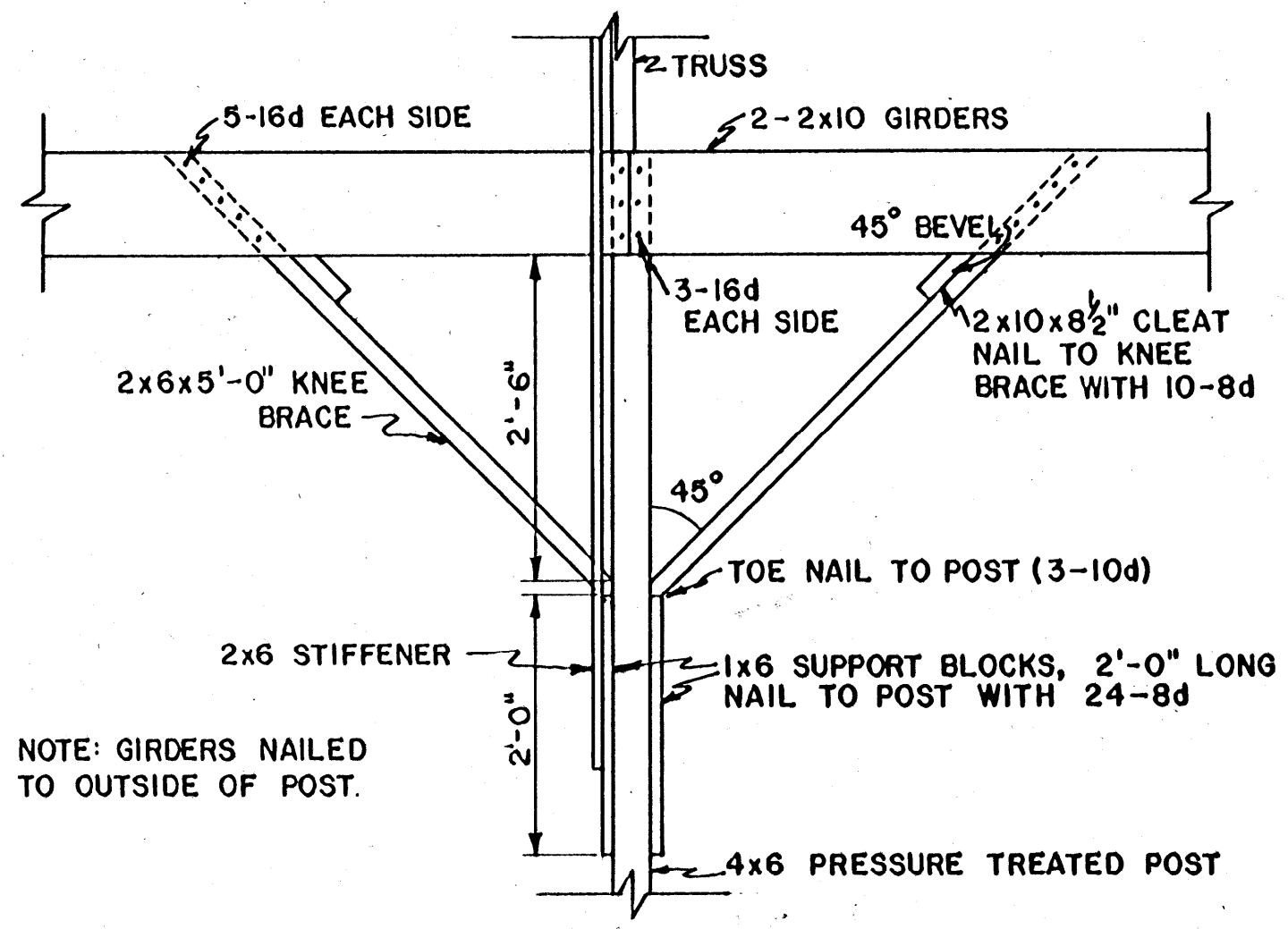
USDA '84	6362	SHEET 1 OF 3
----------	------	--------------



COOPERATIVE EXTENSION SERVICE
 AGRICULTURE AND HOME ECONOMICS
 STATE OF MISSISSIPPI
 MISSISSIPPI STATE UNIVERSITY
 AND
 UNITED STATES DEPARTMENT OF AGRICULTURE COOPERATING

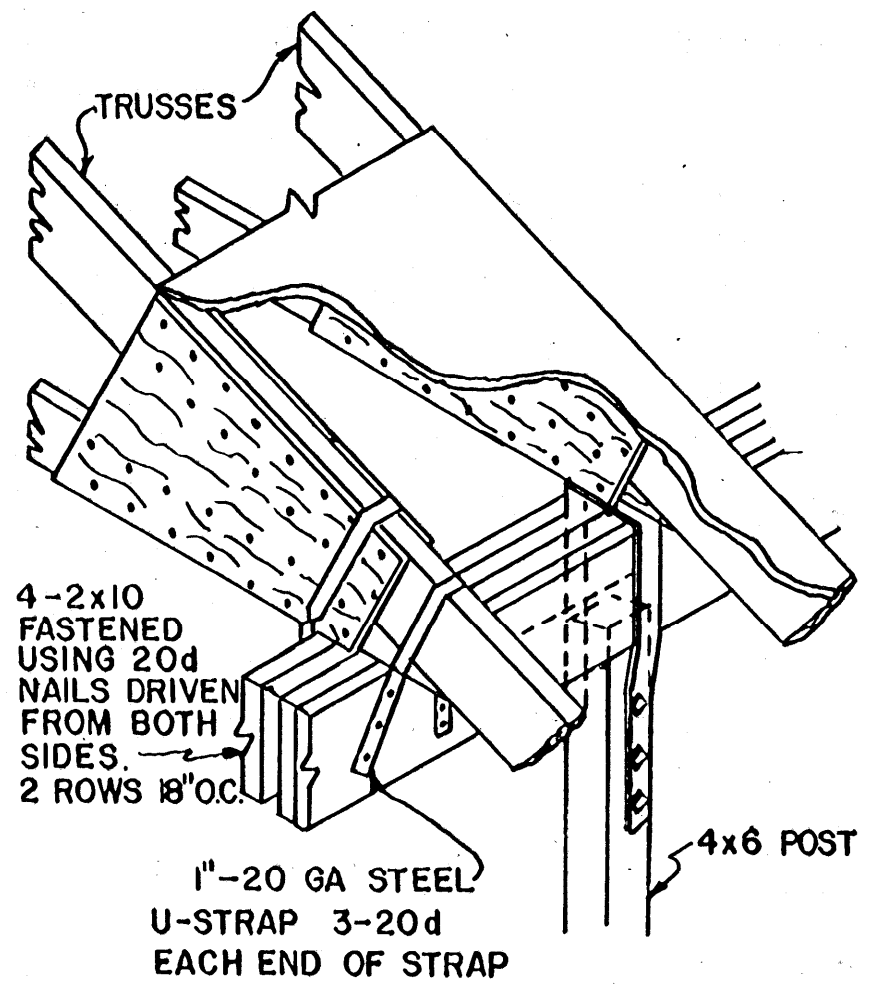
MULTI-USE POLE BARN
 FOR HEAVY SNOW AREAS

USDA '84 6362 SHEET 2 OF 3



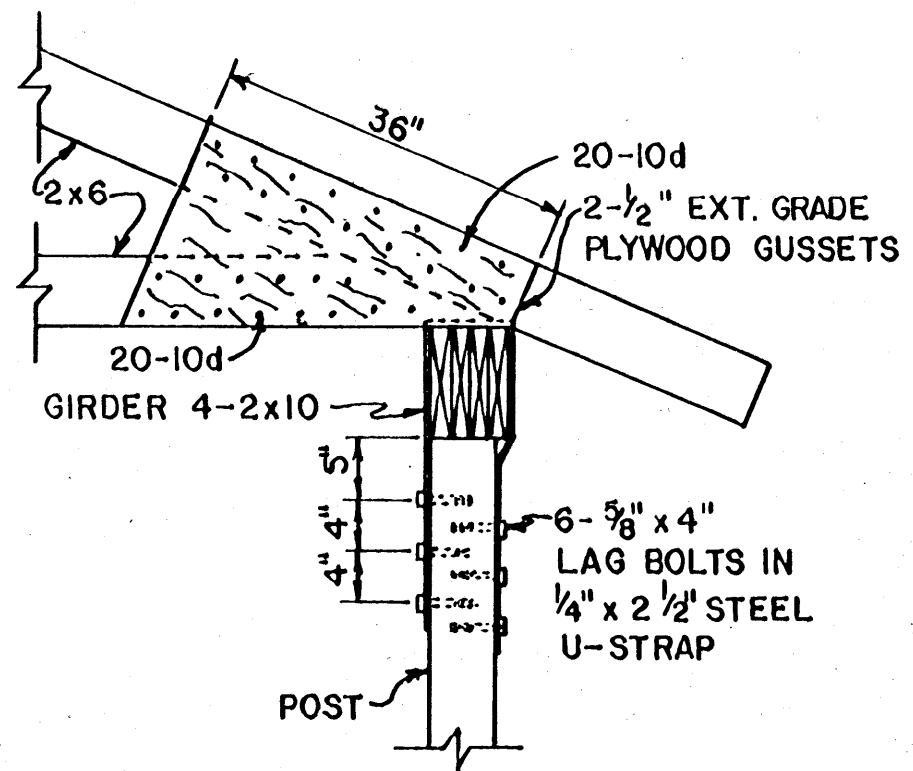
NOTE: GIRDERS NAILED TO OUTSIDE OF POST.

KNEE BRACES



ISOMETRIC

CONSTRUCTION WITHOUT KNEE BRACES



EAVE DETAIL

ALTERNATIVE DETAILS

SCALE 3/4" = 1'-0"

COOPERATIVE EXTENSION SERVICE
 AGRICULTURE AND HOME ECONOMICS
 STATE OF MISSISSIPPI
 MISSISSIPPI STATE UNIVERSITY
 AND
 UNITED STATES DEPARTMENT OF AGRICULTURE COOPERATING

MULTI-USE POLE BARN FOR HEAVY SNOW AREAS

USDA '84	6362	SHEET 3 OF 3
----------	------	--------------