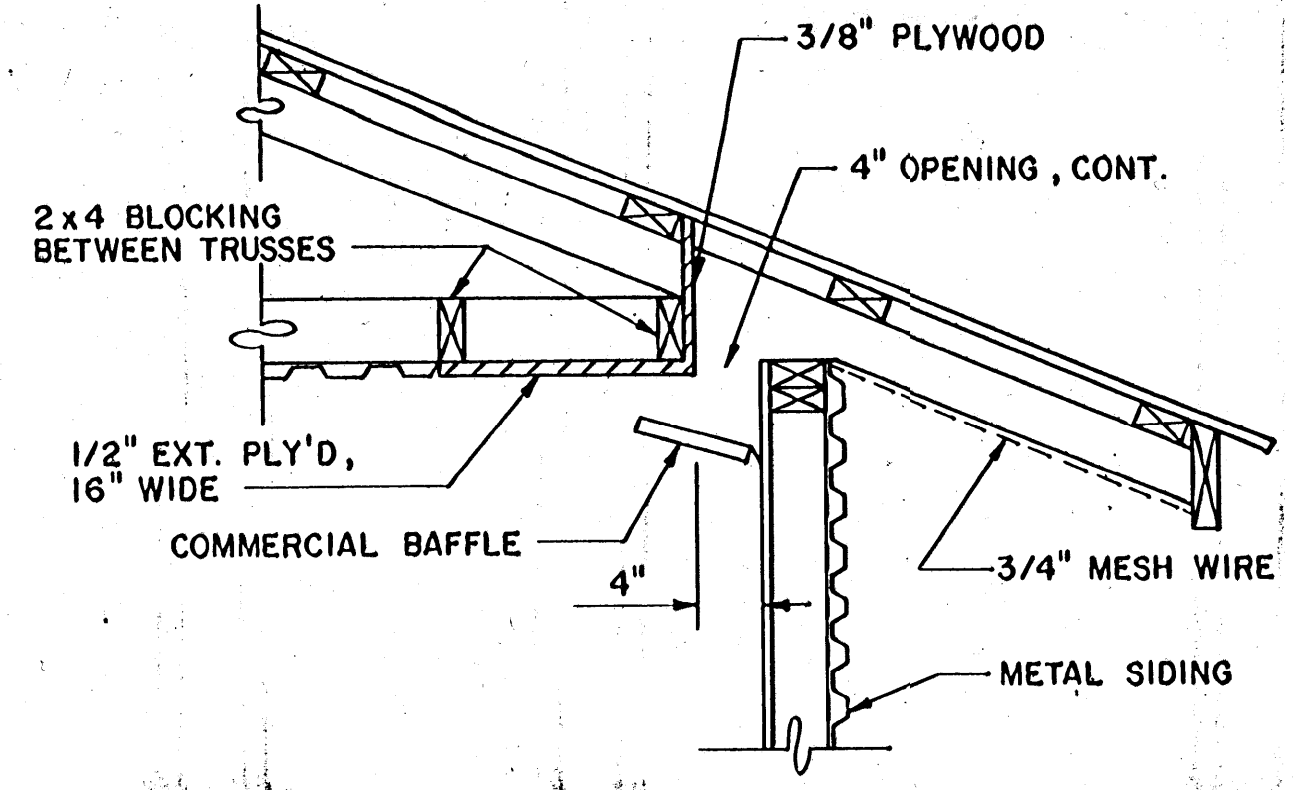
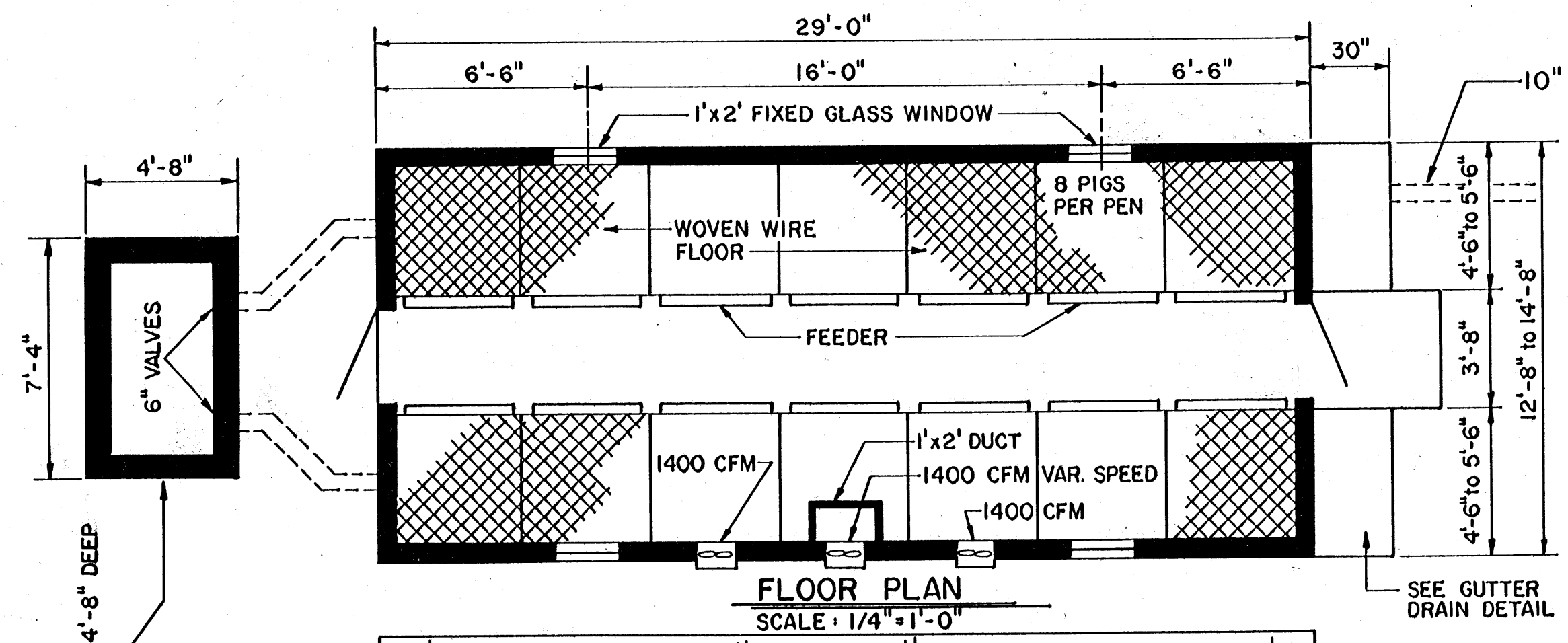


SPACE REQUIREMENTS	
TO 40 lb	2 SQ. FT./PIG
40 TO 50 lb	3 SQ. FT./PIG
50 TO 60 lb	4 SQ. FT./PIG

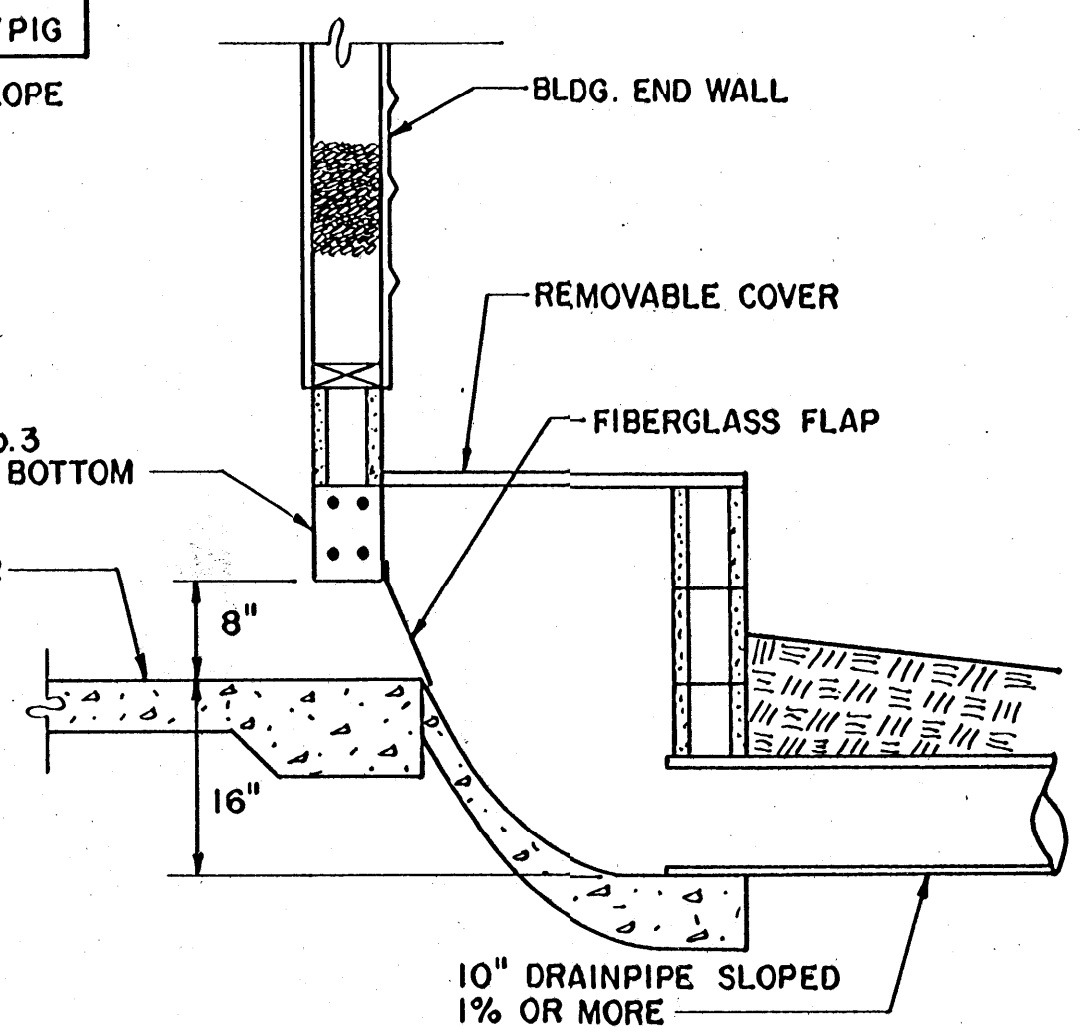
CONSTRUCT NURSERY ON 2% SLOPE



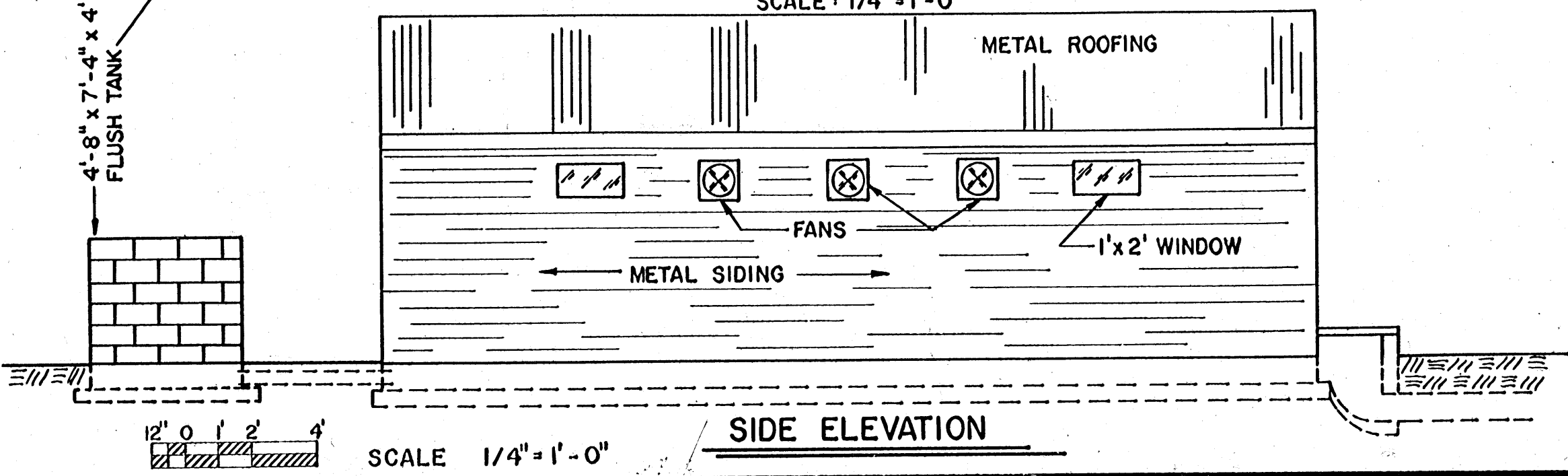
AIR INLET DETAIL
NOT TO SCALE



FLOOR PLAN
SCALE: 1/4" = 1'-0"



GUTTER DRAIN DETAIL
NOT TO SCALE



SIDE ELEVATION
SCALE 1/4" = 1'-0"

COOPERATIVE EXTENSION SERVICE
AGRICULTURE AND HOME ECONOMICS
STATE OF MISSISSIPPI
MISSISSIPPI STATE UNIVERSITY,
AND
UNITED STATES DEPARTMENT OF AGRICULTURE COOPERATING

RAISED PEN NURSERY

NC '85	6369	SHEET 1 OF 1
--------	------	--------------