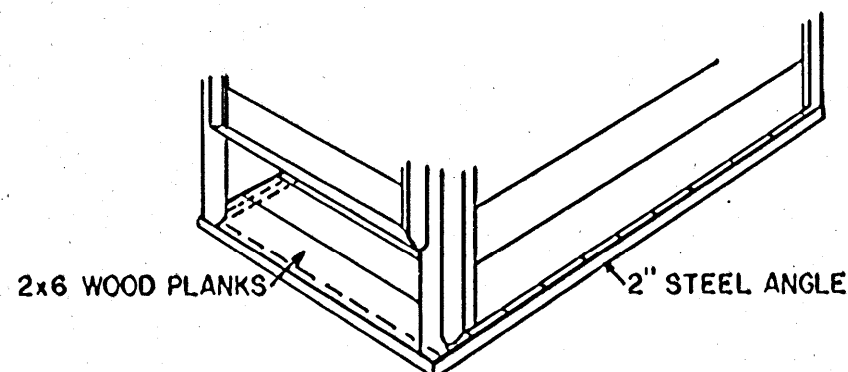


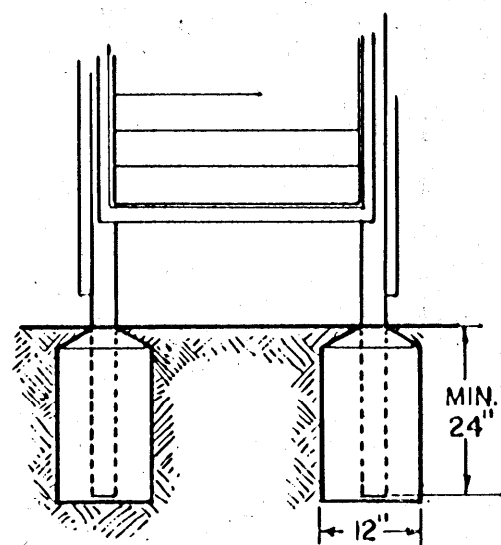
STEEL PLATE FLOOR
(OPTION 1 - PORTABLE)

NOTE: FOR PORTABLE OPTIONS 1 & 2,
ANCHOR TOP TO BUILDING OR POST
TO PREVENT TIP-OVER.

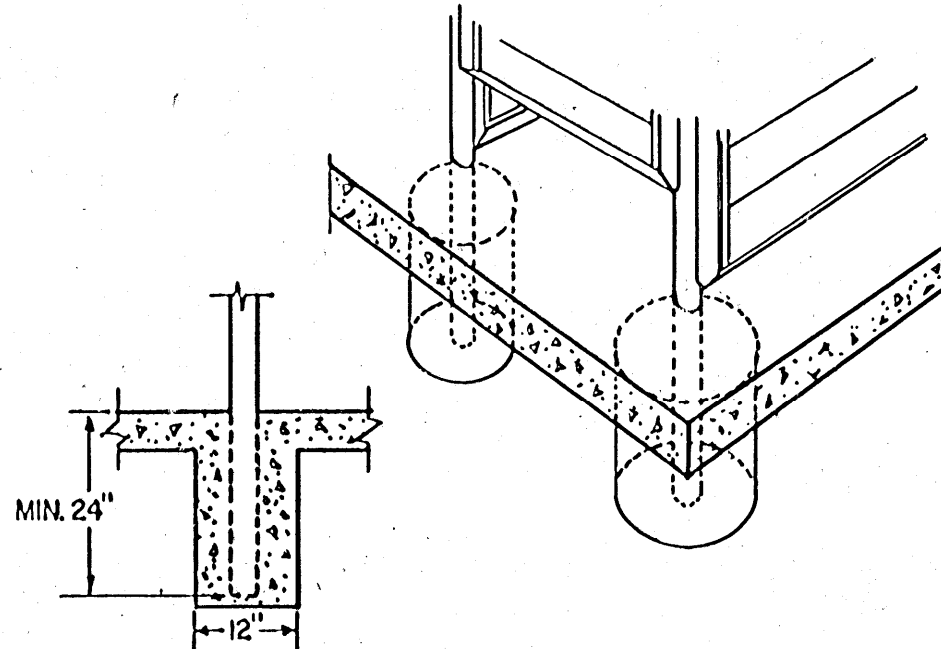
NOTE: FOR PERMANENT OPTIONS 3 & 4, EXTEND
12" DIA. FOOTINGS TO FROST LINE.



WOOD FLOOR
(OPTION 2 - PORTABLE)



DIRT FLOOR
(OPTION 3 - PERMANENT)



CONCRETE FLOOR
(OPTION 4 - PERMANENT)

USE:

THIS STALL WILL SAFELY RESTRAIN MARES DURING BREEDING PREPARATION SUCH AS GENITAL ORGAN EXAMINATIONS, CASLICK OPERATIONS, ARTIFICIAL INSEMINATION AND HYGIENE PROCEDURES. THE STALL SHOULD BE LOCATED NEAR THE BREEDING AREA OUT OF VIEW OF OTHER HORSES. A SMALL FOAL HOLDING PEN CONSTRUCTED IN FRONT OF THE RESTRAINING STALL ALLOWS THE MARE TO KEEP HER HEAD NEAR THE FOAL THUS PREVENTING MANY DISTURBANCES AMONG MARES WITH FOALS AT SIDE. THIS STALL IS DESIGNED SO THAT IT CAN BE OPENED FROM EITHER SIDE TO FREE THE HORSE IF NEEDED. THE STALL MAY ALSO BE USED TO RESTRAIN A HORSE FOR OTHER PURPOSES.

THE STALL MUST BE SECURELY ANCHORED TO PREVENT MOVEMENT AND POSSIBLE TIP OVER OF THE UNIT BY A NERVOUS HORSE. PORTABLE VERSIONS SHOULD BE CHAINED TO A STURDY POLE OR POST DURING USE.

CONSTRUCTION: SAFETY FOR BOTH THE HORSE AND PERSONS WORKING ON THE HORSE IS IMPORTANT. HIGH QUALITY MATERIALS AND CONSTRUCTION TECHNIQUES MUST BE USED WHEN BUILDING THIS HORSE RESTRAINING STALL. THE WEIGHT AND STRENGTH OF A HORSE CAN EXERT TREMENDOUS FORCES ON THE STALL AND ITS GATES, LATCHES AND JOINTS.

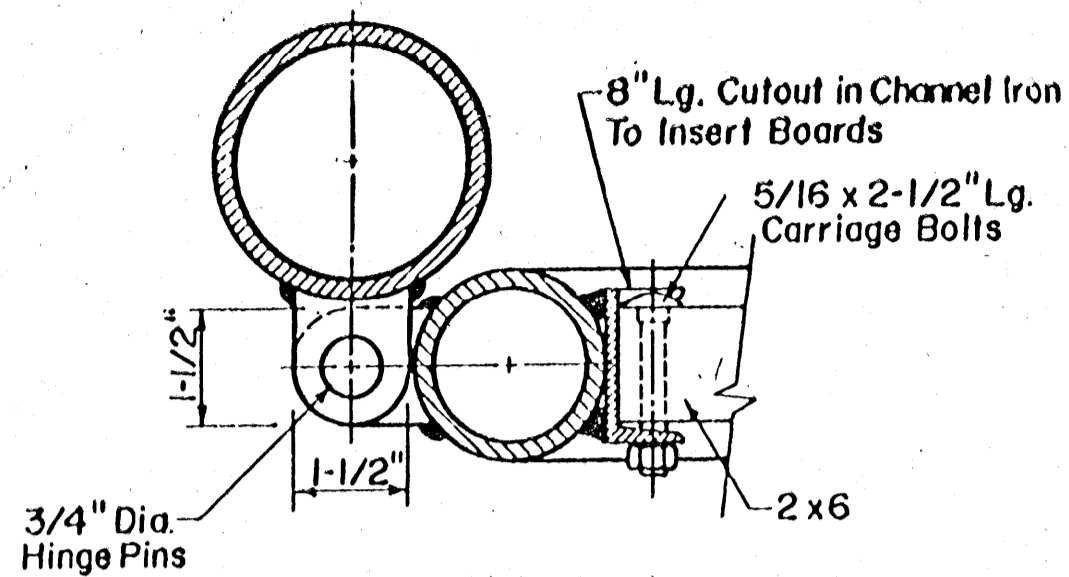
CONSTRUCT ALL GATES AND LATCHES TO AVOID PINCH POINTS, ROUGH EDGES OR PLACES THAT A HORSE COULD GET A LEG OR OTHER BODY PART WEDGED IN. THERE SHOULD BE NO SPACE BETWEEN GATES AND SUPPORT POSTS ON EITHER HINGE OR LATCH ENDS.

MATERIALS LIST (PIPE SIZES ARE OUTSIDE DIAMETER)

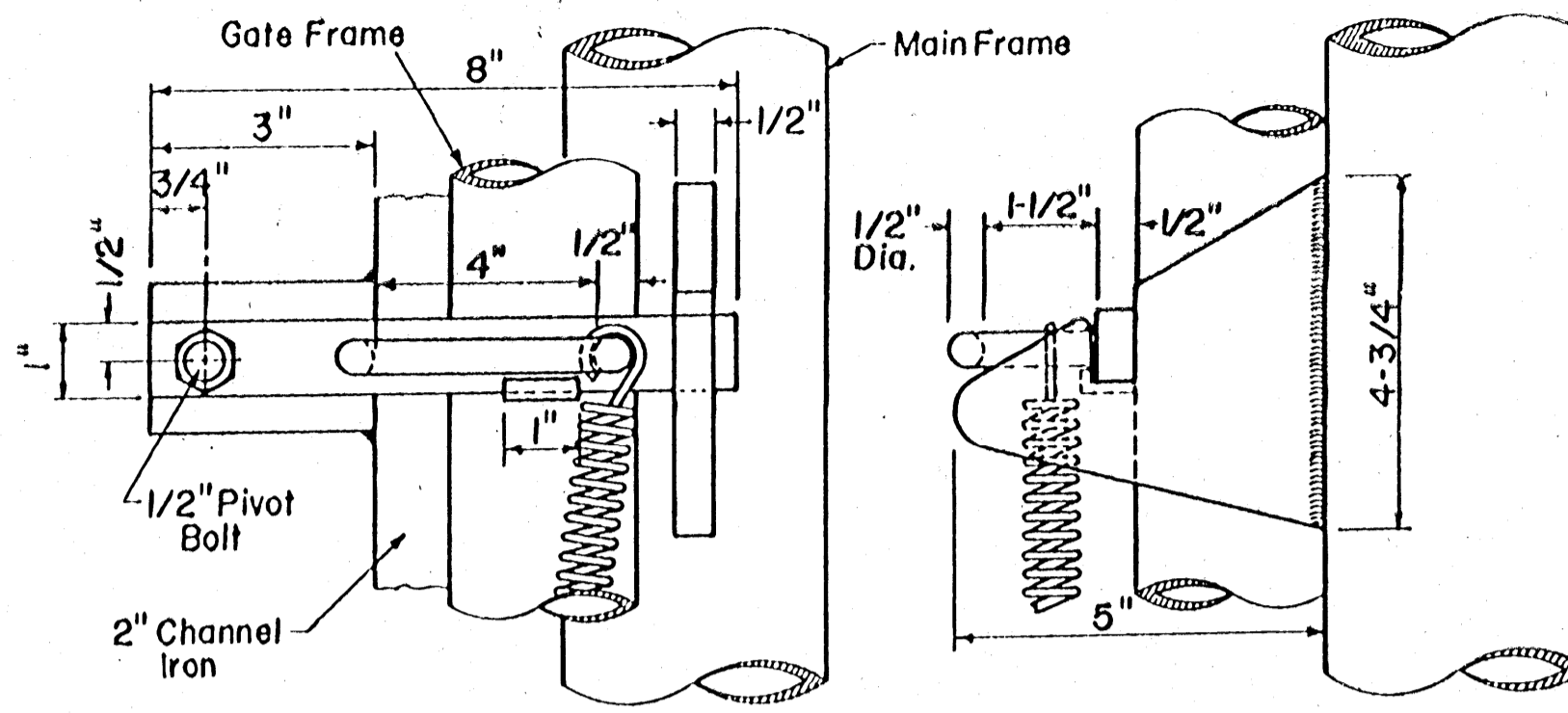
- 1 FRAME
 - 4 PIECES 3" PIPE, SCH 40 BLACK IRON 96" (120" when embedded in soil)
 - 2 PIECES 3" PIPE, SCH 40 BLACK IRON 32"
 - 2 PIECES 3" PIPE, SCH 40 BLACK IRON 74 1/2"
- 2 END DOORS (2)
 - 4 PIECES 2" PIPE, SCH 40 BLACK IRON 31 1/2"
 - 4 PIECES 2" PIPE, SCH 40 BLACK IRON 33"
 - 4 PIECES 2" x 1" CHANNEL, MILD STEEL CHANNEL 42"
 - 12 PIECES 2 x 6 PLANK, HARDWOOD 28"
 - 8 EACH 5/16 x 2 1/2" CARRIAGE BOLTS WITH NUTS
- 3 HINGES (8)
 - 24 PIECES 3/8" x 1 1/2" x 2" MILD STEEL
 - 8 PIECES 3/4" x 2" MACHINE BOLT WITH NUT
- 4 BOTTOM - FOR OPTION 1
 - 1 PIECE 35" x 75" x 3/4" STEEL PLATE
 - 1 PIECE 30" x 75" x 1/2" RUBBER MAT
 FOR OPTION 2
 - 2 PIECES 2" ANGLE IRON, MILD STEEL 74 1/2"
 - 2 PIECES 2" ANGLE IRON, MILD STEEL 32"
 - 14 PIECES 2 x 6 PLANK, HARDWOOD 32"
 FOR OPTIONS 3 AND 4
 - DIRT OR CONCRETE
- 5 END LATCH (2)
 - 2 PIECES CATCH PLATE, MILD STEEL 3/8" x 4 3/4" x 5"
 - 2 PIECES LATCH BAR, MILD STEEL 3/8" x 1" x 8"
 - 2 PIECES HANDLE, 1/2" FOUND BAR MILD STEEL
 - 2 PIECES BEARING PLATE, MILD STEEL 3/8" x 1 1/2" x 3"
 - 2 PIECES LATCH STOP, 3/8" x 1 1/2" x 1"
 - 2 PIECES PIVOT BOLT, 1/2" x 1" MACHINE
 - 2 PIECES SPRING, 5"
- 6 SIDE DOOR (2)
 - 4 PIECES 2" PIPE, SCH 40 BLACK IRON 69 1/2"
 - 4 PIECES 2" PIPE, SCH 40 BLACK IRON 46"
 - 4 PIECES 2" x 1" CHANNEL, MILD STEEL 42"
 - 12 PIECES 2 x 6 PLANK, HARDWOOD 64"
- 7 SIDE LATCH (4)
 - 4 PIECES CATCH, 1/2" ROUND BAR MILD STEEL 9"
 - 4 PIECES LATCH BAR, MILD STEEL 3/4" x 16"
 - 4 PIECES LATCH BEARING, STEEL PIPE 1/2" x 4"

COOPERATIVE EXTENSION SERVICE
AGRICULTURE AND HOME ECONOMICS
STATE OF MISSISSIPPI
MISSISSIPPI STATE UNIVERSITY
AND
UNITED STATES DEPARTMENT OF AGRICULTURE COOPERATING

HORSE RESTRAINING STALL



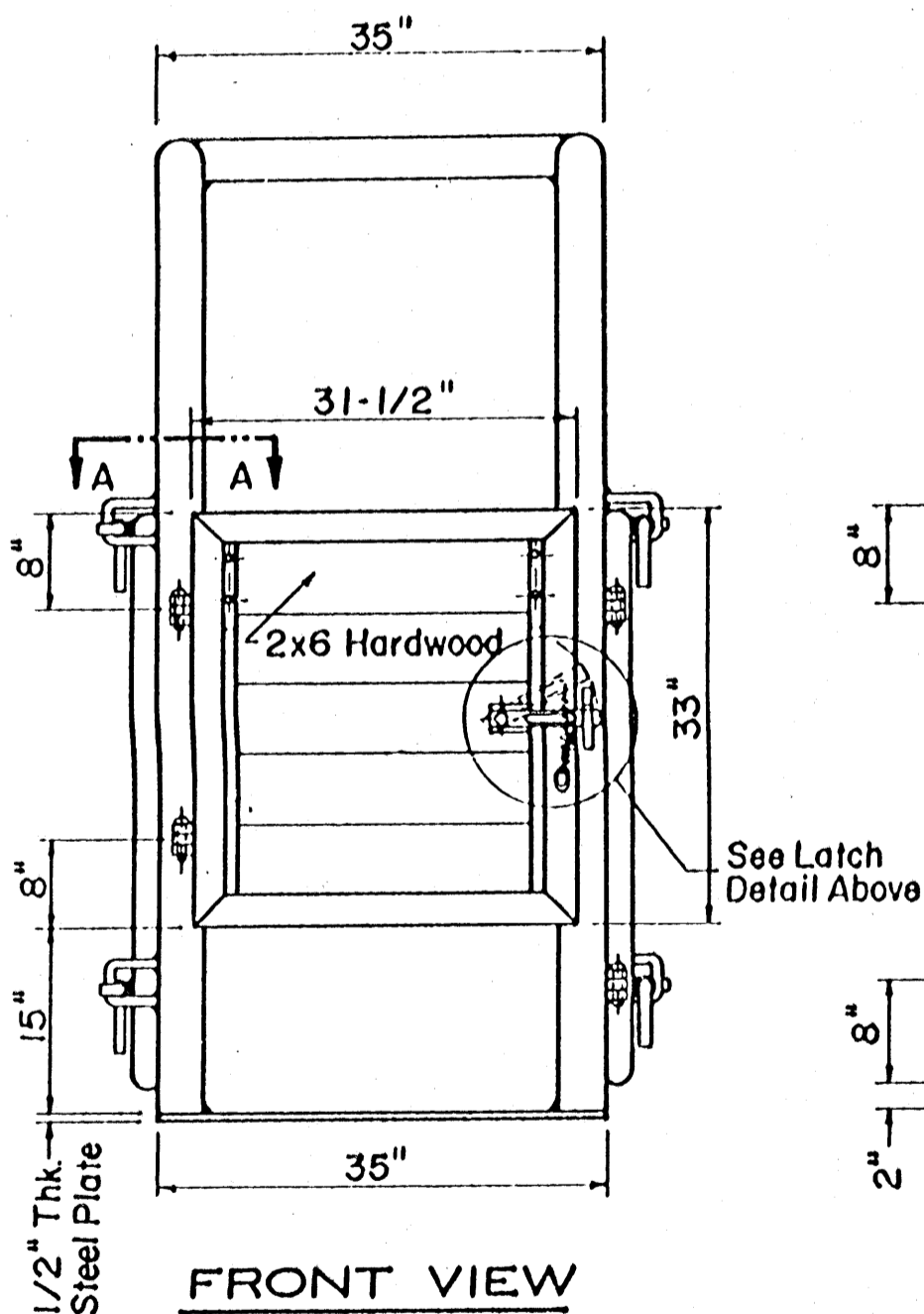
SECTION A-A



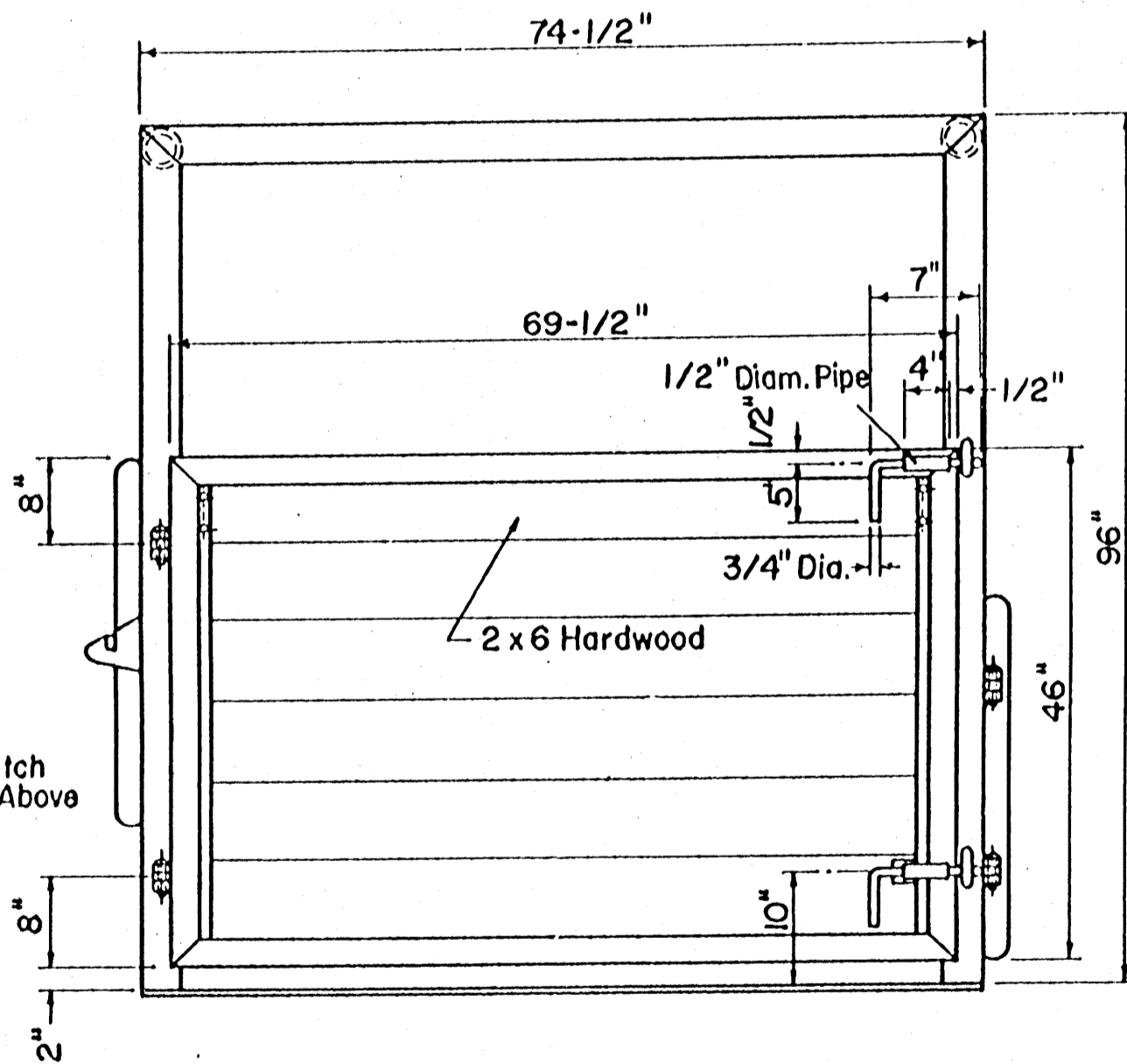
FRONT VIEW

SIDE VIEW

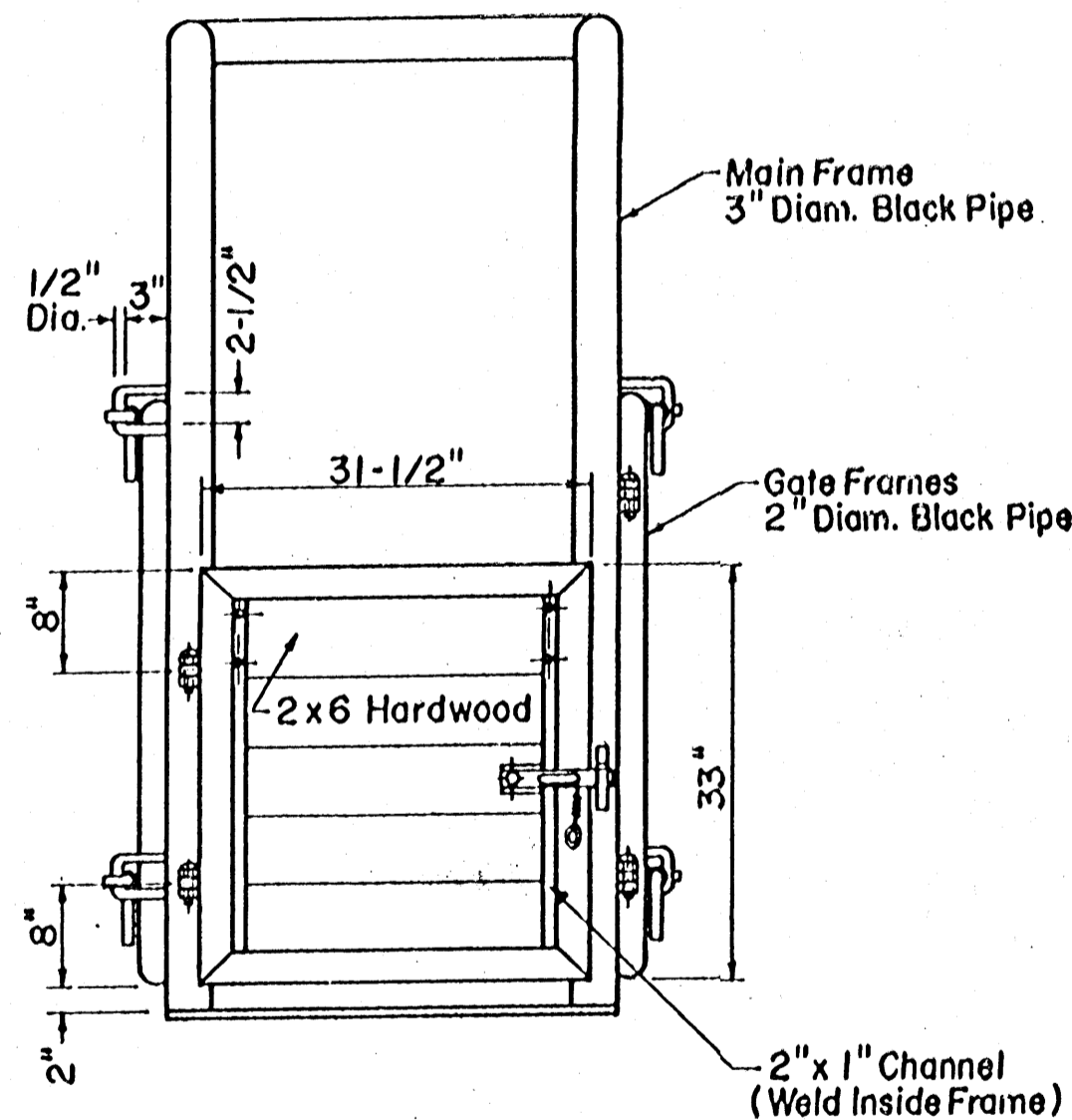
LATCH DETAIL



FRONT VIEW



SIDE VIEW



REAR VIEW

OPTION 1

DRAWINGS NOT TO SCALE

COOPERATIVE EXTENSION SERVICE
 AGRICULTURE AND HOME ECONOMICS
 STATE OF MISSISSIPPI
 MISSISSIPPI STATE UNIVERSITY
 AND
 UNITED STATES DEPARTMENT OF AGRICULTURE COOPERATING

HORSE RESTRAINING STALL

PA 85 | 6375 | SHEET 2 OF 2