

CONSTRUCTION STEPS

1. STUDY PLANS AND DETAILS THOROUGHLY.
2. OUTLINE SPACE FOR REFRIGERATOR ON LEVEL CONCRETE FLOOR.
3. CONSTRUCT EXTERIOR WALLS AND FIT BY FASTENING IN PLACE TEMPORARILY. NOTE: WEATHER PROTECTION IS NEEDED.
4. FASTEN ANY TWO ADJACENT WALLS PERMANENTLY
5. CONSTRUCT ROOF; NAIL ON 6 MIL POLYETHYLENE VAPOR BARRIER PAPER ALLOWING 10" OVERHANG.
6. SET ROOF IN PLACE, FOLDING PAPER AROUND EDGES INTO ROOM.
7. PLACE AND FASTEN OTHER WALLS IN POSITION.
8. APPLY VAPOR-BARRIER--ONE WALL AT A TIME. LAP PAPER 6" AT JOINTS USING SEAM FILLER UNDER OVERLAP, SEE CORNER DETAIL.
9. APPLY VAPOR BARRIER TO FLOOR.
10. LAY INSULATION ON FLOOR.
11. TO PROTECT INSULATION, COVER WITH WATERPROOF PAPER.
12. BUILD CONCRETE FORMS FOR REFRIGERATOR FLOOR.
13. POUR CONCRETE AND SET ANCHOR BOLTS FOR INTERIOR WALL PLATE.
14. BUILD INTERIOR FRAMING-- AFTER CONCRETE IS THOROUGHLY SET.
15. INSTALL ELECTRICAL AND REFRIGERANT TUBING DUCTS.
16. INSULATE WALLS AND CEILING.
17. INSTALL INSIDE WALLS AND CEILING.
18. CALK, PLUMB, AND BOLT DOOR FRAMES IN PLACE.
19. HANG DOORS AND ADJUST LATCHES SO GASKETS WILL EXERT PRESSURE ALL AROUND.
20. HAVE REFRIGERATION EQUIPMENT AND WIRING INSTALLED.
21. INSTALL SHELVES, MEAT RAIL, AND OTHER ACCESSORIES.
22. PAINT ALL WOODEN SURFACES WITH ALUMINUM PAINT. LEAVE DOORS OPEN UNTIL SURFACES ARE DRY.
23. PAINT SURFACES OF ALL CONCRETE FLOORS.

WARNING: IF FREEZER AREA IS MUCH LARGER THAN SHOWN AIR VENTS SHOULD BE PLACED BENEATH FLOOR INSULATION TO PREVENT FROST UPHEAVAL BY THE SOIL UNDERNEATH

DRAWINGS NOT TO SCALE
FORMERLY 7102

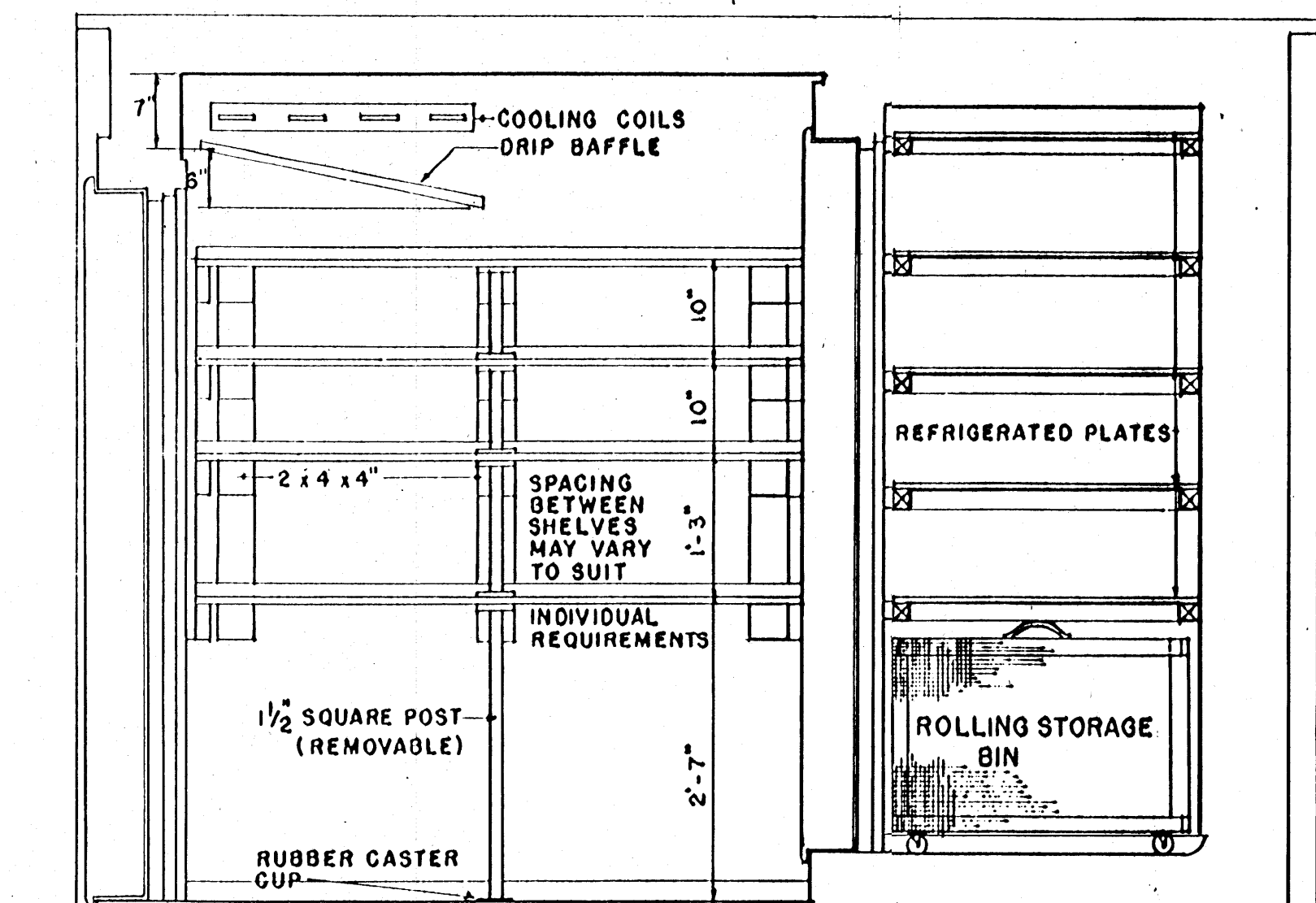
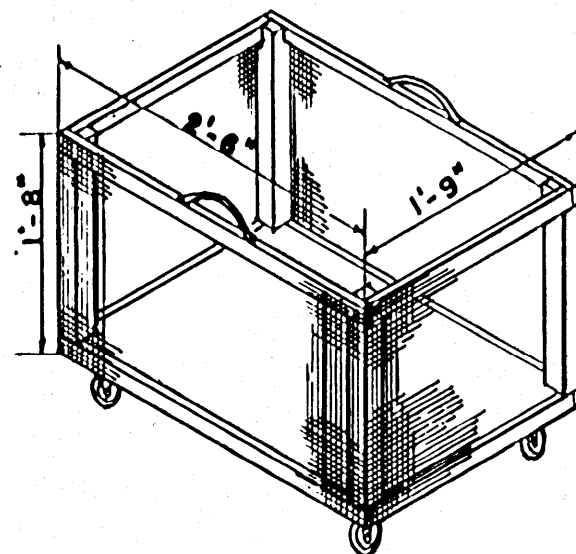
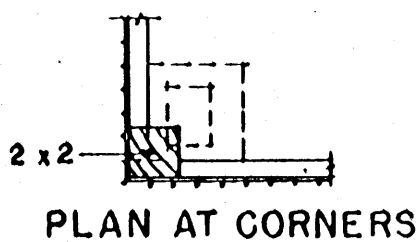
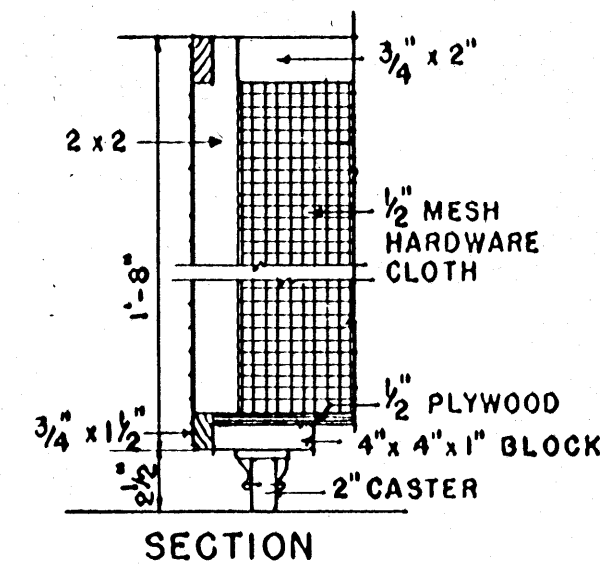
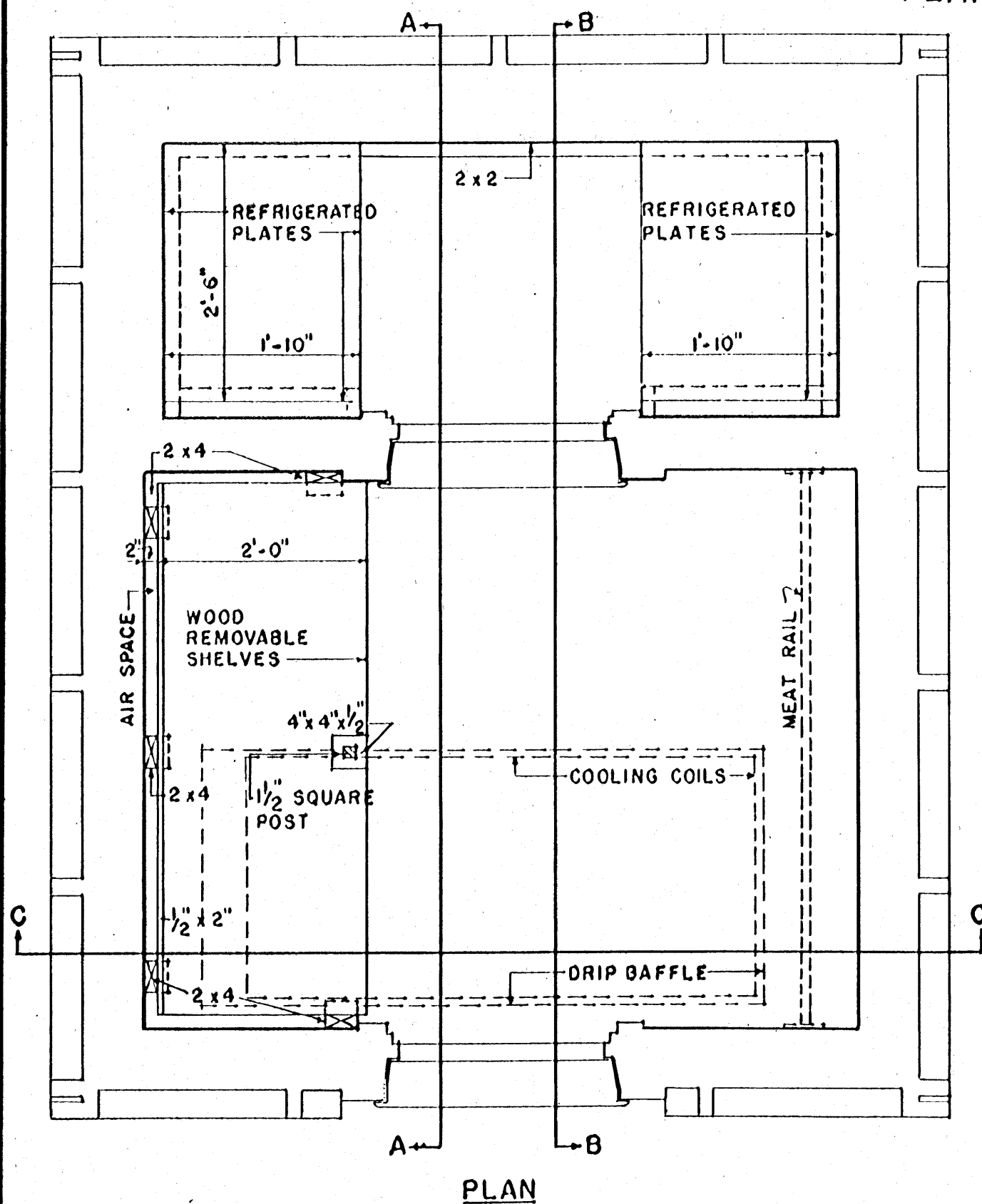
COOPERATIVE EXTENSION SERVICE
AGRICULTURE AND HOME ECONOMICS

AND
UNITED STATES DEPARTMENT OF AGRICULTURE COOPERATING

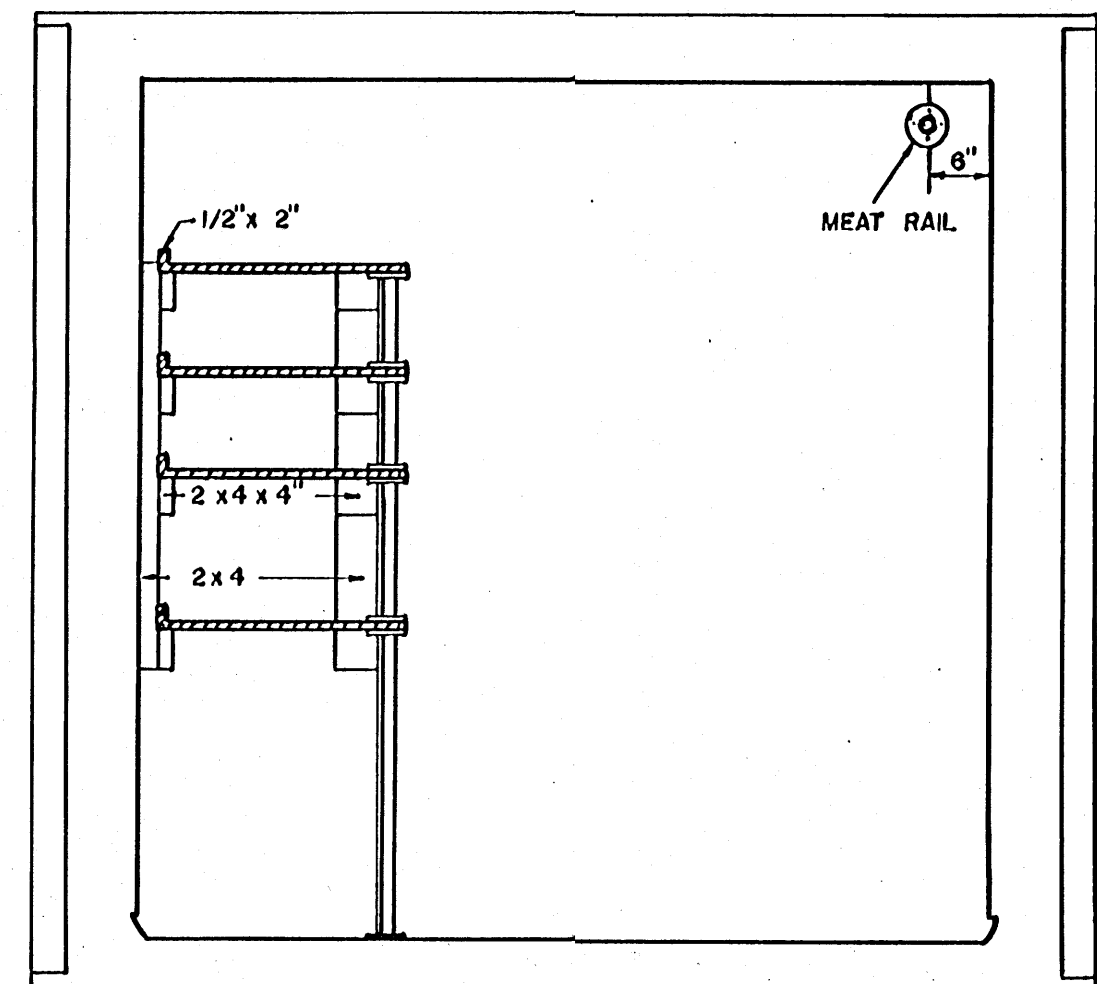
TWO-TEMPERATURE WALK-IN REFRIGERATOR

USDA '54	6386	SHEET 1 OF 3
REV '87		

PLAN AND SECTIONS SHOWING SHELVING AND OTHER INTERIOR DETAILS



SECTION A-A

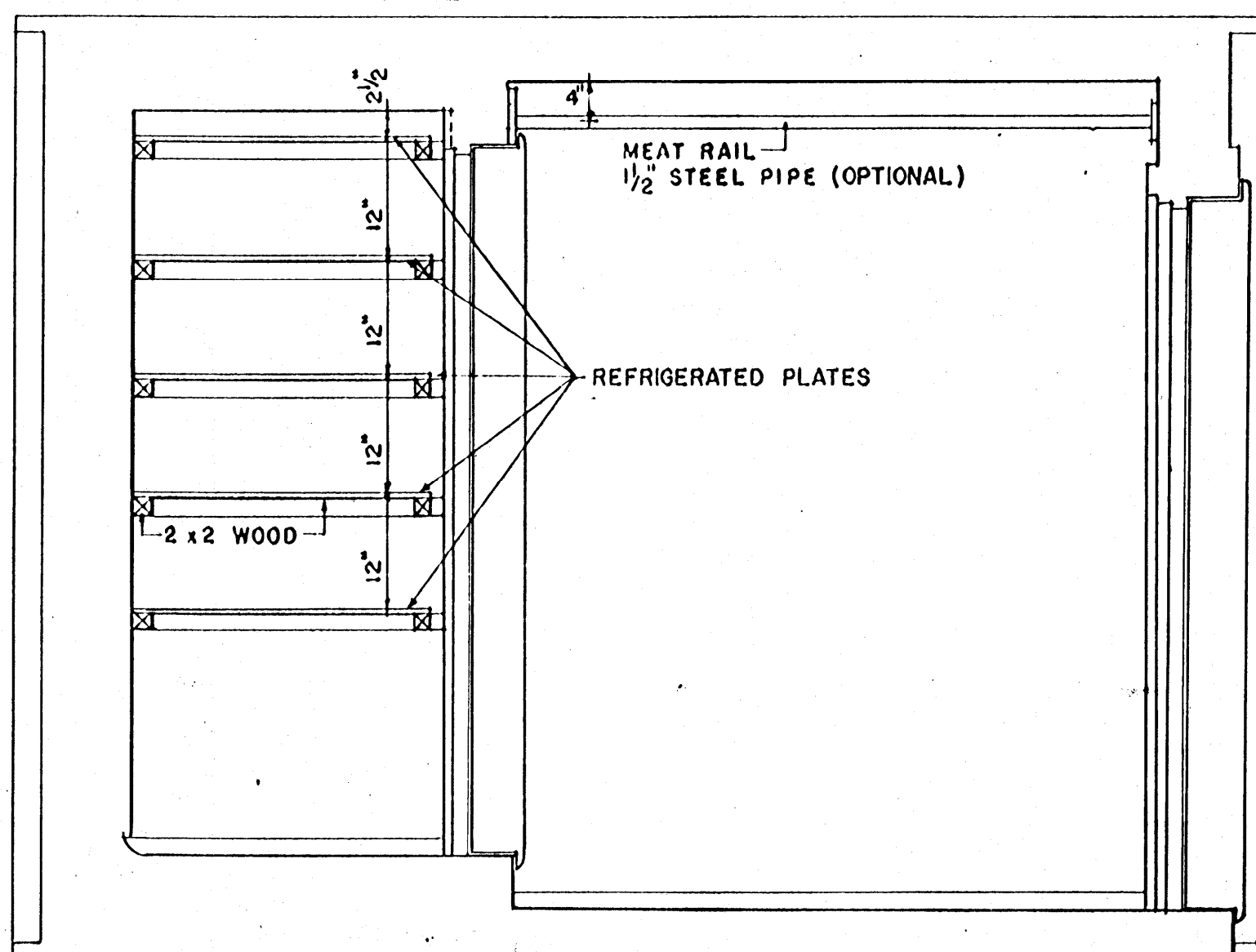


SECTION C-C

DRAWINGS NOT TO SCALE

NOTES

1. COST: INVESTIGATE THE COST AND AVAILABILITY OF COMMERCIALY AVAILABLE UNITS BEFORE BUILDING YOUR OWN.
2. INSULATION: CORK HAS BEEN WIDELY USED BUT THERE NOW ARE MANY WATER RESISTANT GLASS SLAG AND POLYMER INSULATIONS THAT ARE AVAILABLE IN SHEET OR BLOCK FORM, HAVE BETTER R VALUES, AND ARE AS RESISTANT TO COMPRESSION AS CORK.
3. VAPOR BARRIERS: VAPOR BARRIER PAPERS HAVE BEEN LARGELY REPLACED BY POLYETHYLENE. A 6 MIL. OR HEAVIER FILM IS RECOMMENDED. IT SHOULD BE STRONG ENOUGH TO RESIST TEARING. ANY TEARS OR NAIL HOLES AS WELL AS JOINTS AND EDGES NEAR OPENINGS SHOULD BE TIGHTLY SEALED WITH ASPHALT OR A VAPOR BARRIER SEALING TAPE.
4. FROST UPHEAVAL: FROST CAN ULTIMATELY BUILD UP IN SOIL UNDER THE FREEZER AND RAISE THE FLOOR. WITH A CONCRETE FLOOR UNDER THE INSULATION THERE SHOULD BE ENOUGH SIDEWISSE COLD LOSS TO AVOID THIS PROBLEM. IF FREEZER FLOOR WERE MADE MUCH LARGER THAN SHOWN, AIR VENTILATION SHOULD BE PROVIDED BETWEEN FLOOR INSULATION AND SOIL, I.E. 4" AIR DUCTS 4'-0" O.C.
5. FREEZER DOOR: ALTHOUGH ADEQUATE DOORS CAN BE CONSTRUCTED ON SITE, PURCHASE OF READY MADE DOORS AND FRAME ARE RECOMMENDED.
6. REFRIGERATION SYSTEM: SEEK ASSISTANCE FROM AN EXPERIENCED REFRIGERATION (AS COMPARED WITH AIR CONDITIONING) FIRM. A 3/4 H.P. COMPRESSOR SHOULD BE SUFFICIENT FOR FREEZER ROOM AND 1/2 H.P. FOR CHILLROOM. PROVISIONS WILL BE NEEDED FOR MOUNTING COMPRESSOR, CONDENSER, AND CONTROLS OUTSIDE OF CABINETS.
7. WEATHER PROTECTION: THIS UNIT NEEDS WEATHER PROTECTION (I.E. SHELTER WITHIN ANOTHER STRUCTURE).



SECTION B-B

COOPERATIVE EXTENSION SERVICE
AGRICULTURE AND HOME ECONOMICS

AND
UNITED STATES DEPARTMENT OF AGRICULTURE COOPERATING

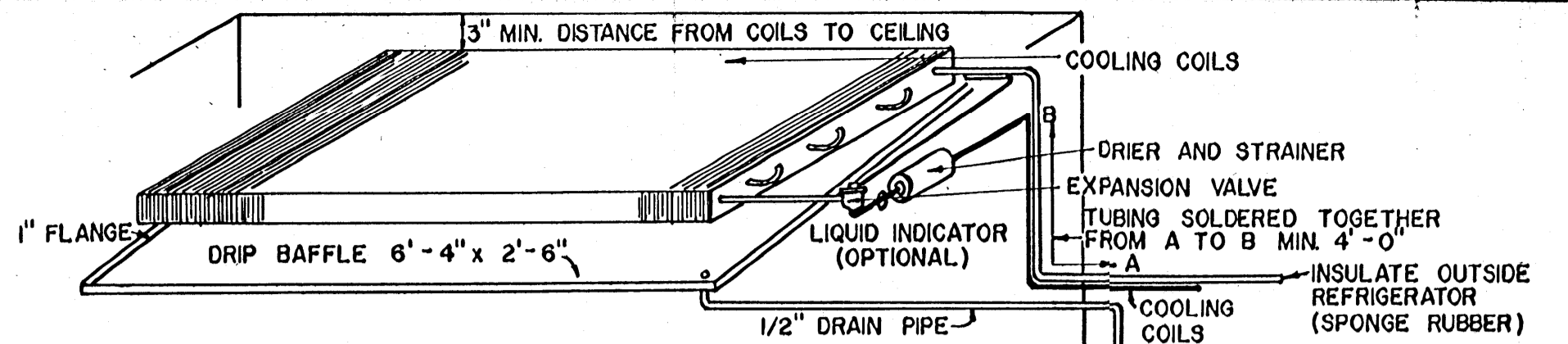
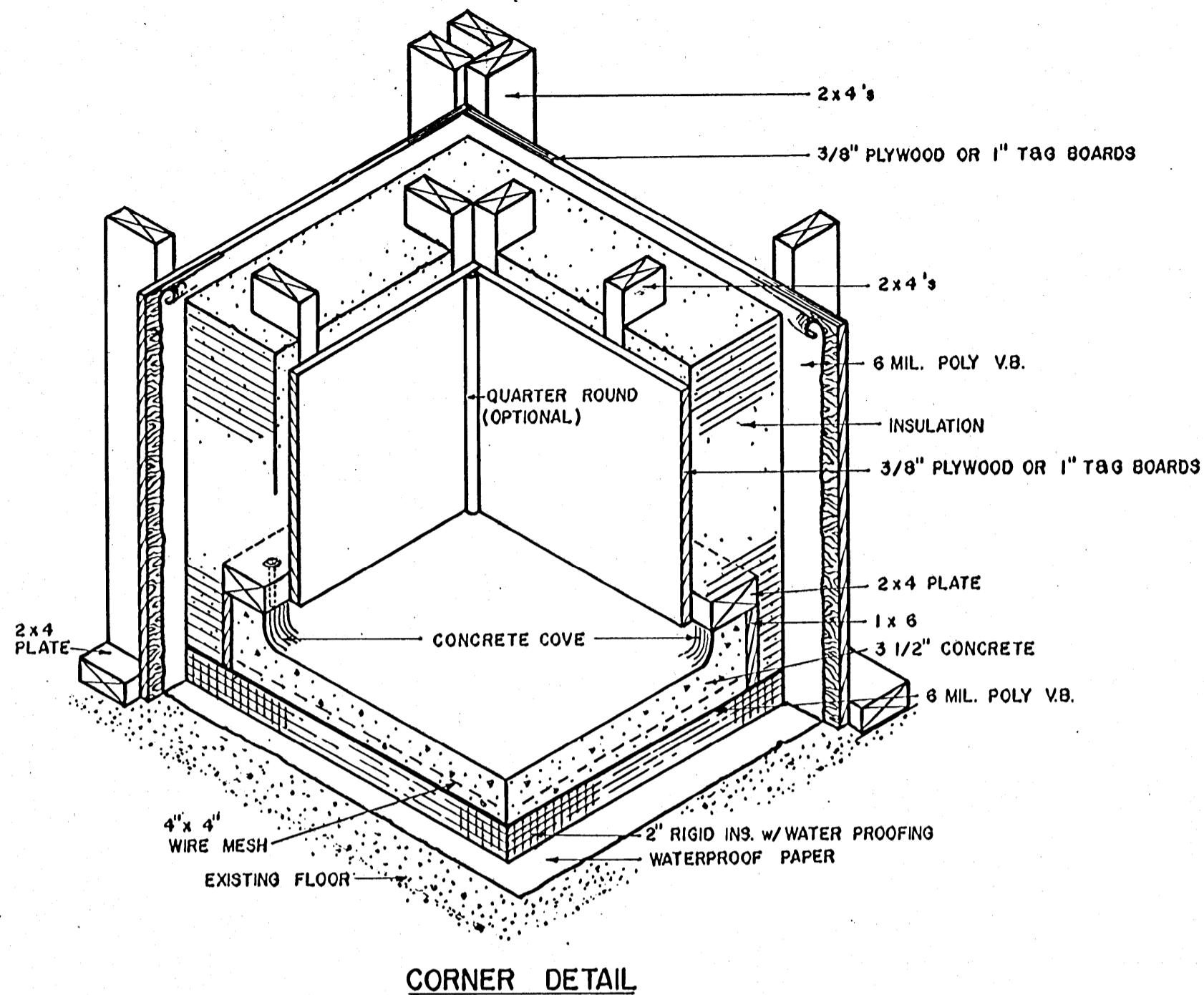
TWO-TEMPERATURE WALK-IN
REFRIGERATOR

USDA '54

6386

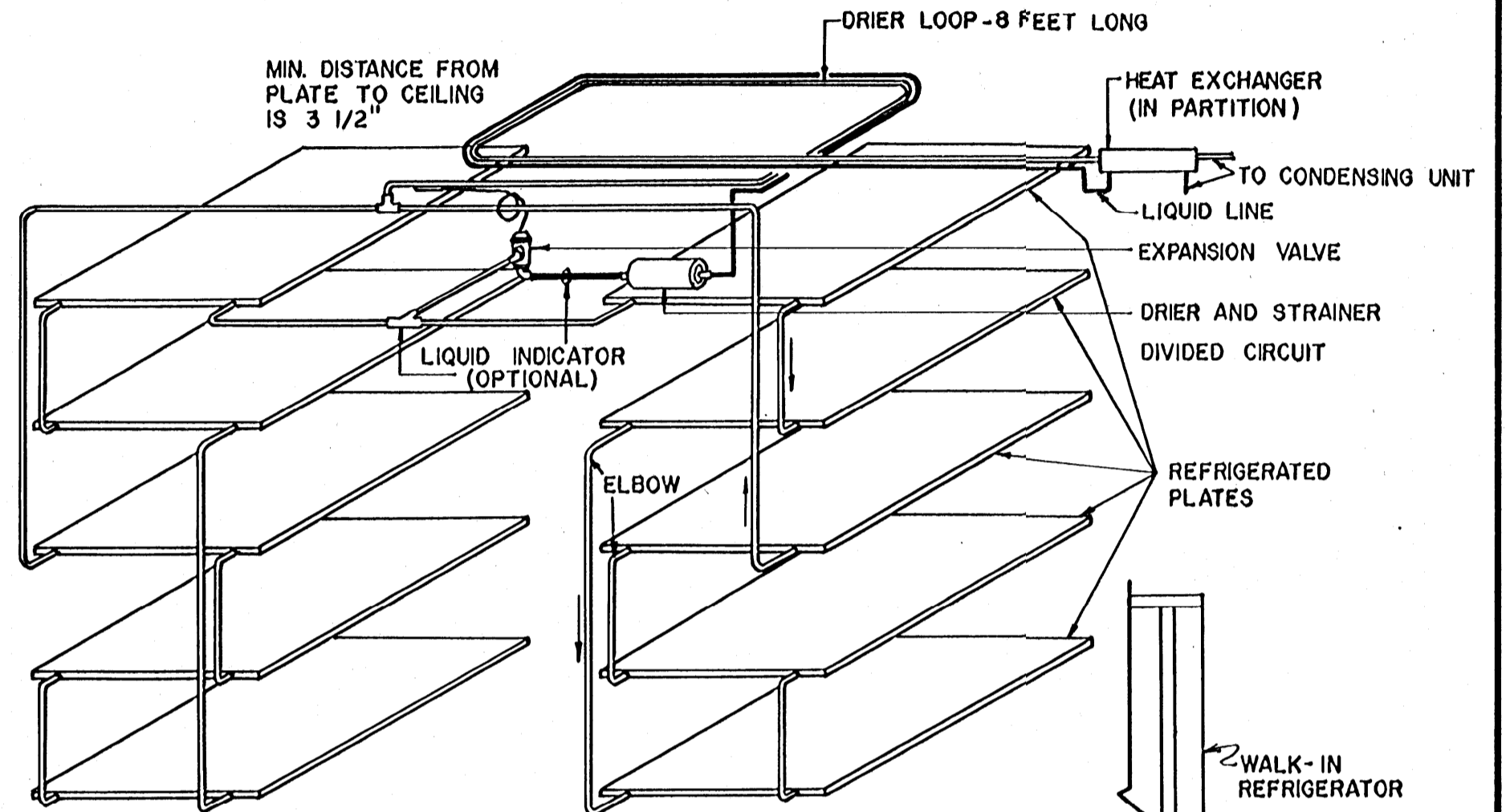
SHEET 2 OF 3

REV '87



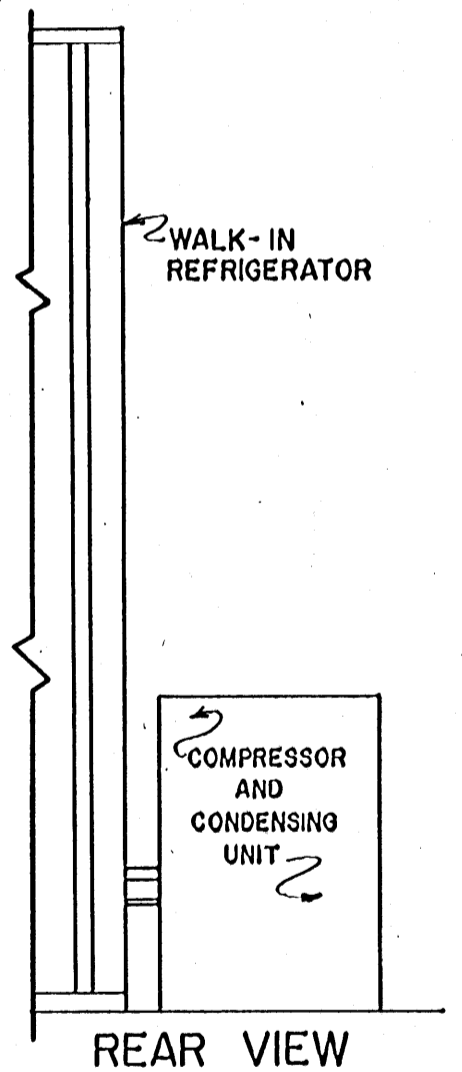
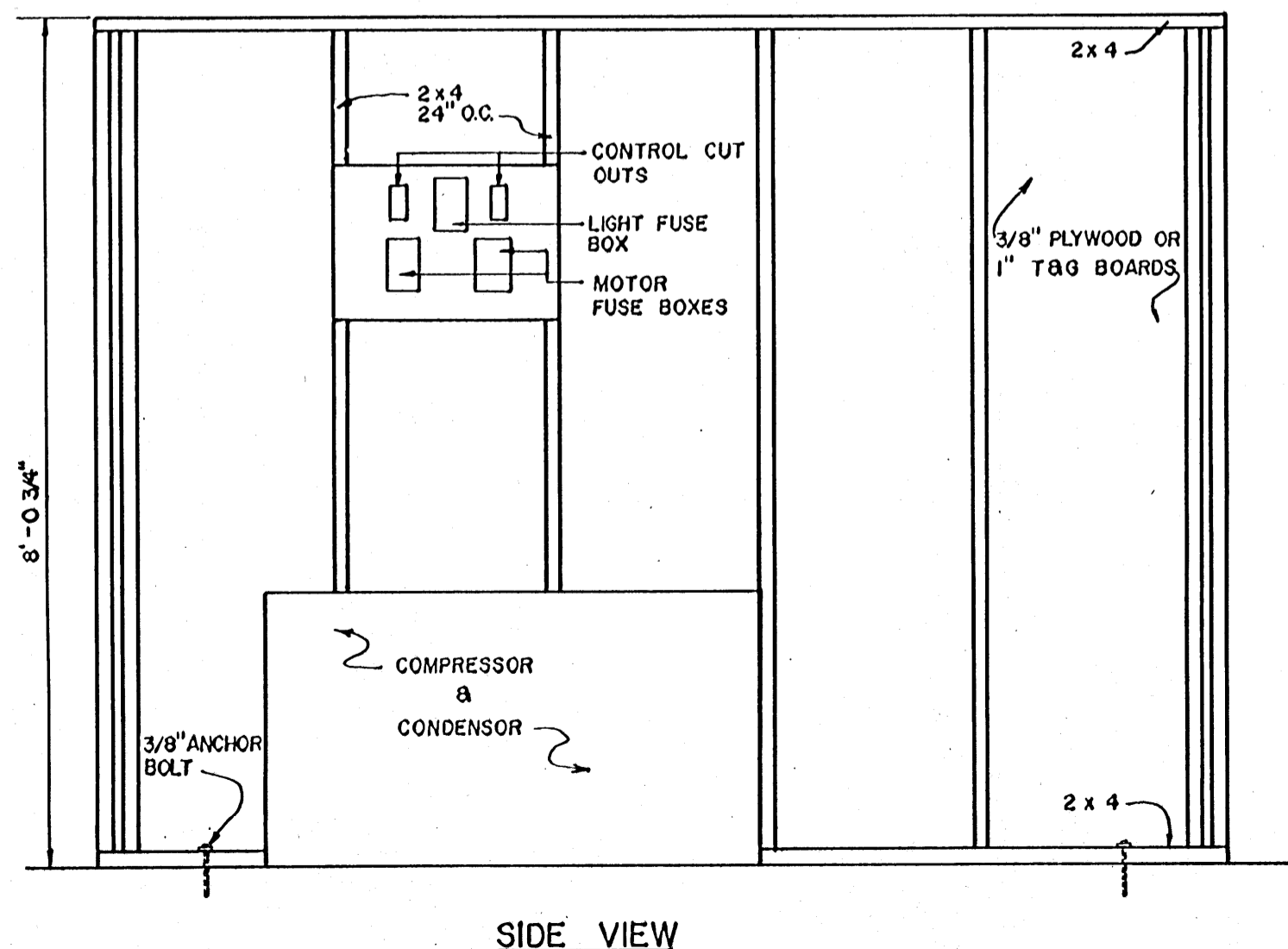
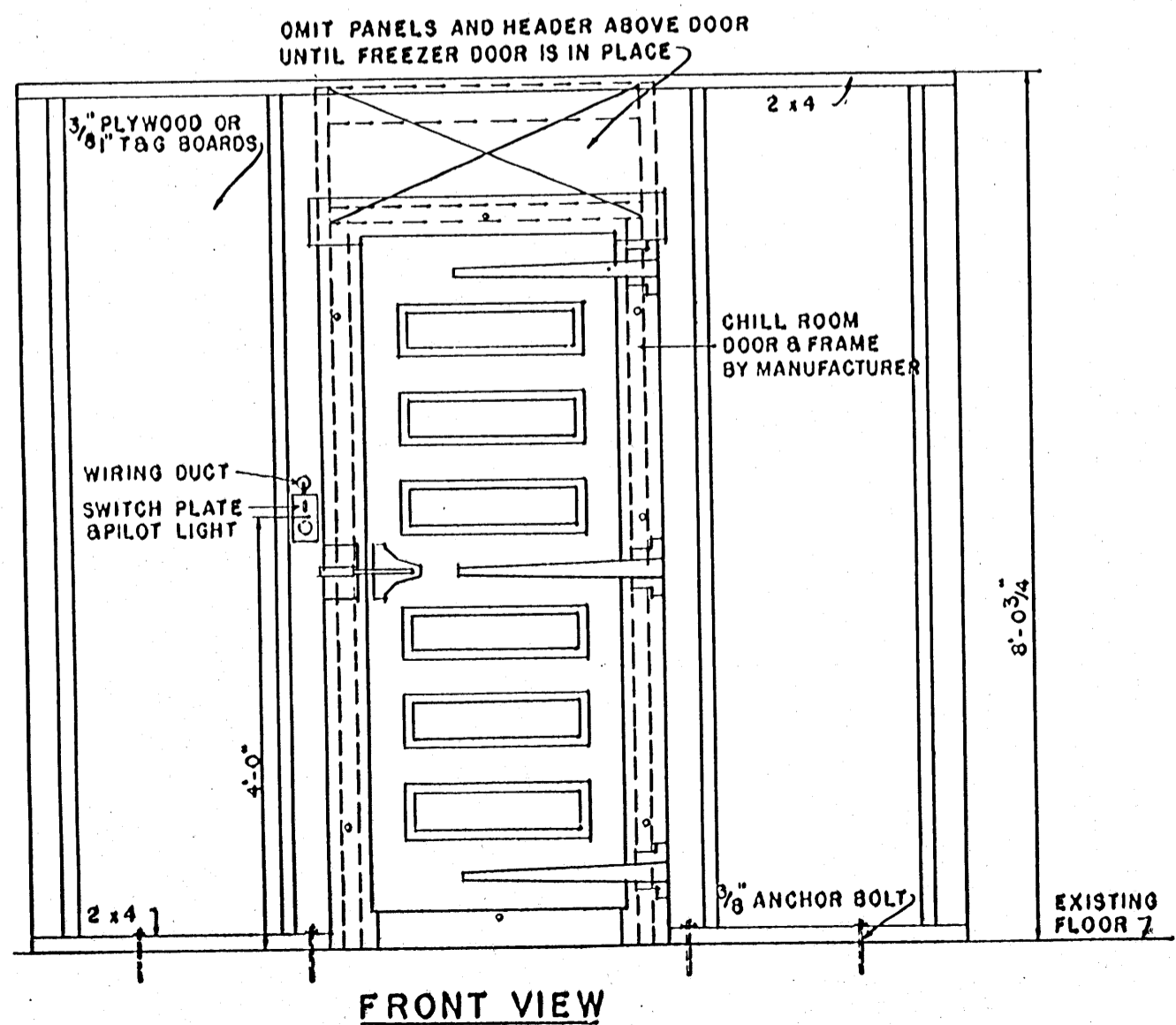
DETAIL OF EVAPORATOR (COOLING) COILS IN CHILL ROOM

NOTE: -VERTICAL ORIENTATION NEAR CEILING IS ALSO ACCEPTABLE.
-THE USE OF A BLOWER WILL PERMIT SMALLER COIL.



DETAIL OF REFRIGERATED PLATES IN FREEZER

NOTE: -CONSULT YOUR LOCAL SUPPLIER FOR MOST ECONOMICAL DESIGN.
-AUTOMATIC DEFOST SYSTEM WILL REQUIRE A COIL INSTEAD OF PLATES.



DRAWINGS NOT TO SCALE

COOPERATIVE EXTENSION SERVICE AGRICULTURE AND HOME ECONOMICS		
AND UNITED STATES DEPARTMENT OF AGRICULTURE COOPERATING		
TWO-TEMPERATURE WALK-IN REFRIGERATOR		
USDA '54	6386	SHEET 3 OF 3
REV '87		